

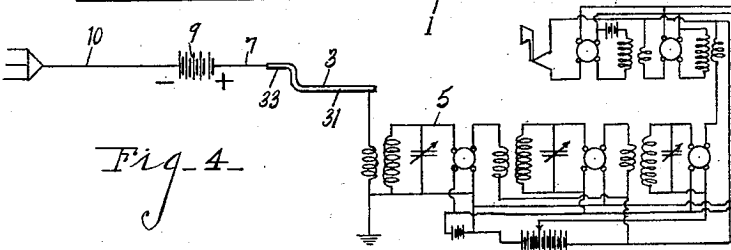
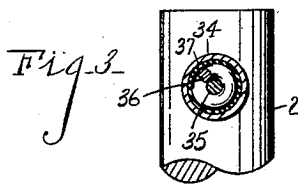
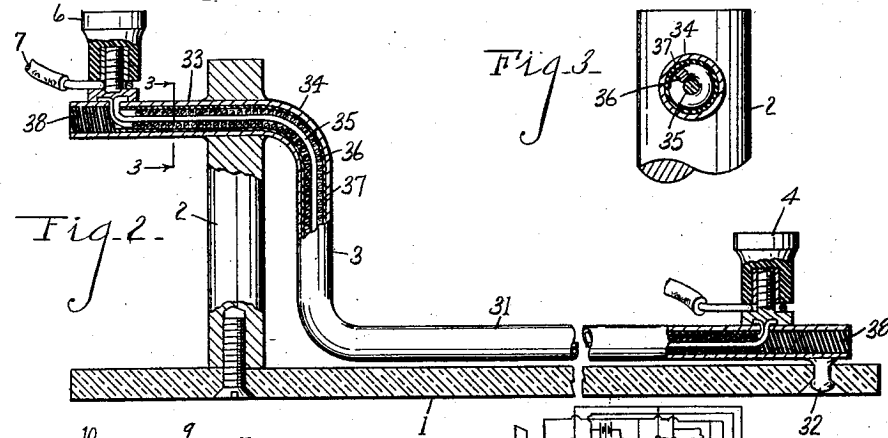
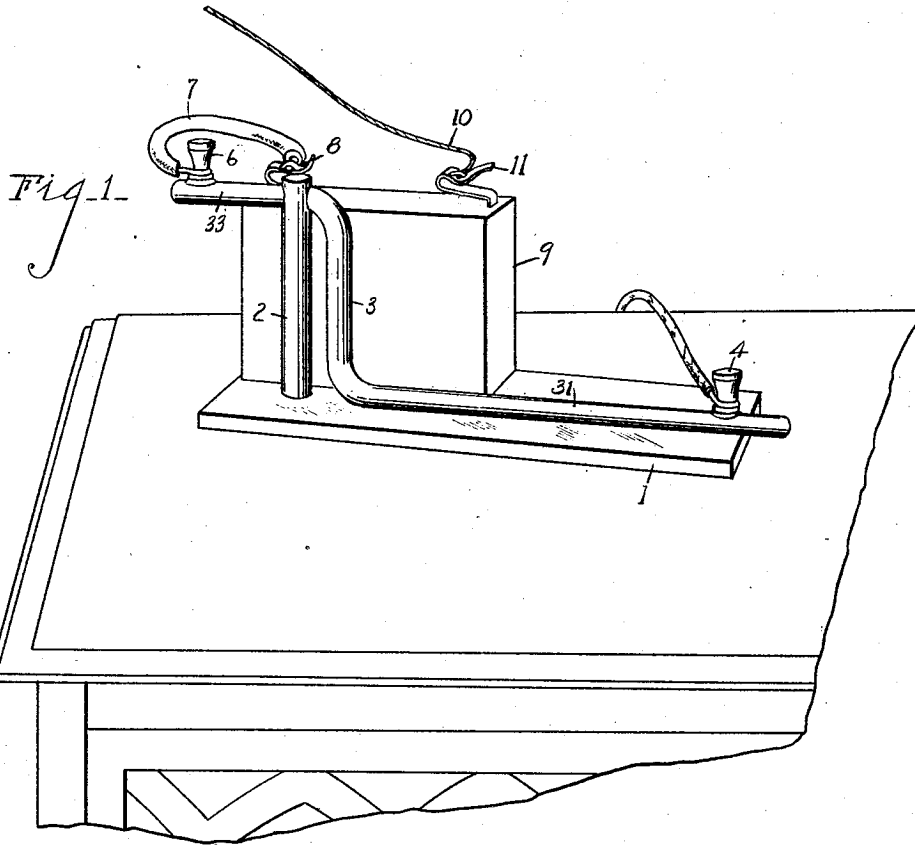
Oct. 13, 1931.

C. J. BRITTEN

1,826,727

RADIO APPARATUS

Filed April 30, 1928



INVENTOR  
Chancy J. Britten  
By Chappell & Carl  
ATTORNEYS