



(22) Date de dépôt/Filing Date: 2010/02/17

(41) Mise à la disp. pub./Open to Public Insp.: 2011/08/17

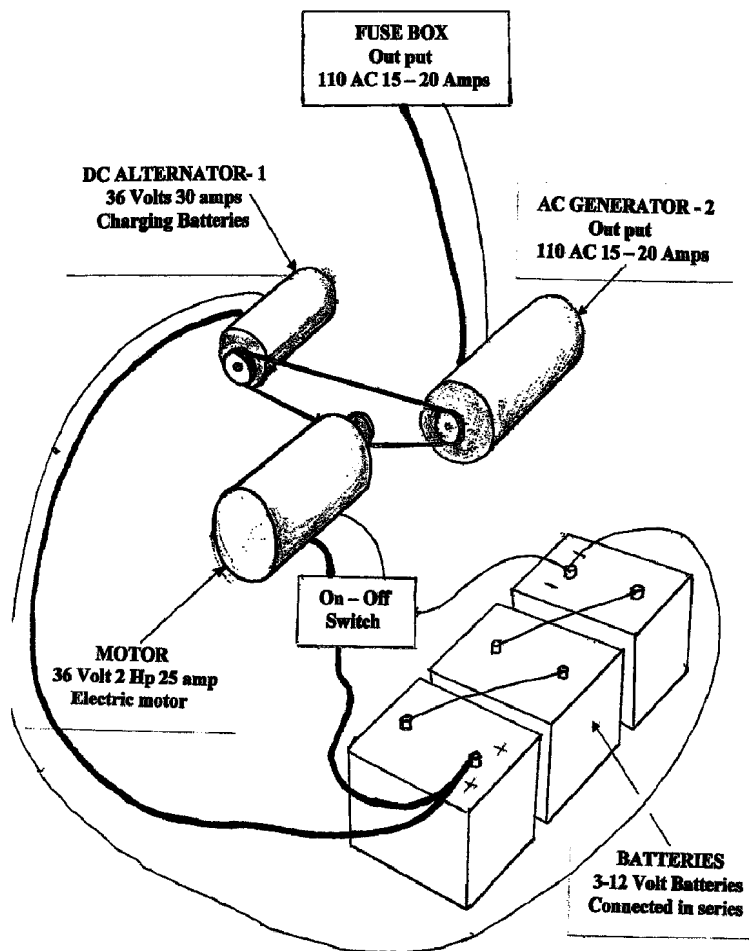
(51) Cl.Int./Int.Cl. *H02K 53/00* (2006.01)

(71) Demandeur/Applicant:
CRETNEY, JOHN, CA

(72) Inventeur/Inventor:
CRETNEY, JOHN, CA

(54) Titre : GENERATEUR PERPETUEL

(54) Title: PERPETUAL GENERATOR



(57) Abrégé/Abstract:

The purpose of Perpetual Generator is to produce electricity, creating little or no emissions or noise. The process starts with batteries connected to and powering a DC electric motor. As the electric motor turns it is connected by pulley to a DC Alternator.



(57) Abrégé(suite)/Abstract(continued):

The DC Alternator is connected directly to the batteries to provide a replenishing charge. As the DC Alternator turns and provides a replenishing charge to the batteries this provides a source of horse power for an AC Generator. The AC Generator is also connected by pulley and as it turns it will provide a source of electricity to the user through a fuse box.

The Perpetual Generator

I, John James Cretney of 4275 Hwy 95 Box 55 Parson BC V0A-1L0, formally request a grant of a patent for an invention, entitled Perpetual Generator.

The Perpetual Generator is the first of its kind producing electricity without the need for fuel, creating no emissions or noise. The Perpetual Generator uses an electric motor, two generators and batteries to produce horsepower to generate electricity. The perpetual Generator is an improvement over the current fuel powered generators as it may be operated indoors.

Abstract

The purpose of Perpetual Generator is to produce electricity, creating little or no emissions or noise. The process starts with batteries connected to and powering a DC electric motor. As the electric motor turns it is connected by pulley to a DC Alternator. The DC Alternator is connected directly to the batteries to provide a replenishing charge. As the DC Alternator turns and provides a replenishing charge to the batteries this provides a source of horse power for an AC Generator . The AC Generator is also connected by pulley and as it turns it will provide a source of electricity to the user through a fuse box.

Amended Oct 26, 2010

Application No.	2,694395
Owner	CRETNEY, JOHN
Title	PERPETUAL GENERATOR
Classification	H02K 53/00{2006.1}
Examiner	GUILLAUME MURERE

Description

The Perpetual Generator may be created using any voltage 12 to 240 volts for the purpose of simplicity this description shall utilize a 36 volt system. Connect three 12-volt batteries in series creating a 36-volt out put. Connect the output of the batteries to a 36 volt 2hp 25 amp electric motor [with activation switch and or variable speed control switch] Figure 1. Connect the motor by pulley to a 36 volt alternator [DC Alternator 1] connect the output of the alternator to the batteries. The 36 volt alternator provides 25 – 60 amps of replenishing charge to the batteries. Figure 2. Attach a second generator a 1500 – 2000 watt 110-volt AC generator [AC Generator 2] to the motor by pulley and connect it to the out put or fuse box. Figure 3. As these items are heavy they need to be attached to a metal frame and positioned precisely and aligned to prevent vibration. When aligned and connected and turning at the correct RPM this version of the Perpetual Generator will produce 1500 – 2000 watts of AC electricity. The life span of the Perpetual Generator is based on the maintenance and replacement of the batteries, generators/ alternators electric motors. As long as the parts are in working order the Perpetual Generator will produce electricity.

The Perpetual Generator should be operated in a cool ventilated area or a temperature controlled environment to control heat. The Perpetual Generator is an improvement over the current fuel powered generators with no exhaust or emissions it may be operated indoors for residential and commercial purposes. The perpetual Generator is the first of its kind producing electricity without the need of fuel, using electricity to provide horsepower to produce electricity.

Amended Oct 26, 2010

Application No.	2,694395
Owner	CRETNEY, JOHN
Title	PERPETUAL GENERATOR
Classification	H02K 53/00{2006.1}
Examiner	GUILLAUME MURERE

Claims

The embodiments of the invention the Perpetual Generator in which an exclusive property or privilege is claimed are as defined as follows.

1. A process for producing electricity, which comprises of an electric motor, a DC alternator, and a battery pack with the same voltage and a 110 AC generator. Batteries are wired to an DC electric motor connected to a DC alternator wired to batteries connected to an AC generator.
2. A process as defined in claim 1, in which batteries are wired to an electric motor, as the motor turns it is connected to a DC alternator. The DC alternator is wired directly to the batteries to provide a replenishing charge. The AC Generator is also connected to the electric motor and as it turns the AC Generator produces electricity.
3. A process as defined in claim 2, in which batteries an electric motor, a DC alternator, and an AC generator produce electricity. The voltage range utilized is 12 to 240 volts.

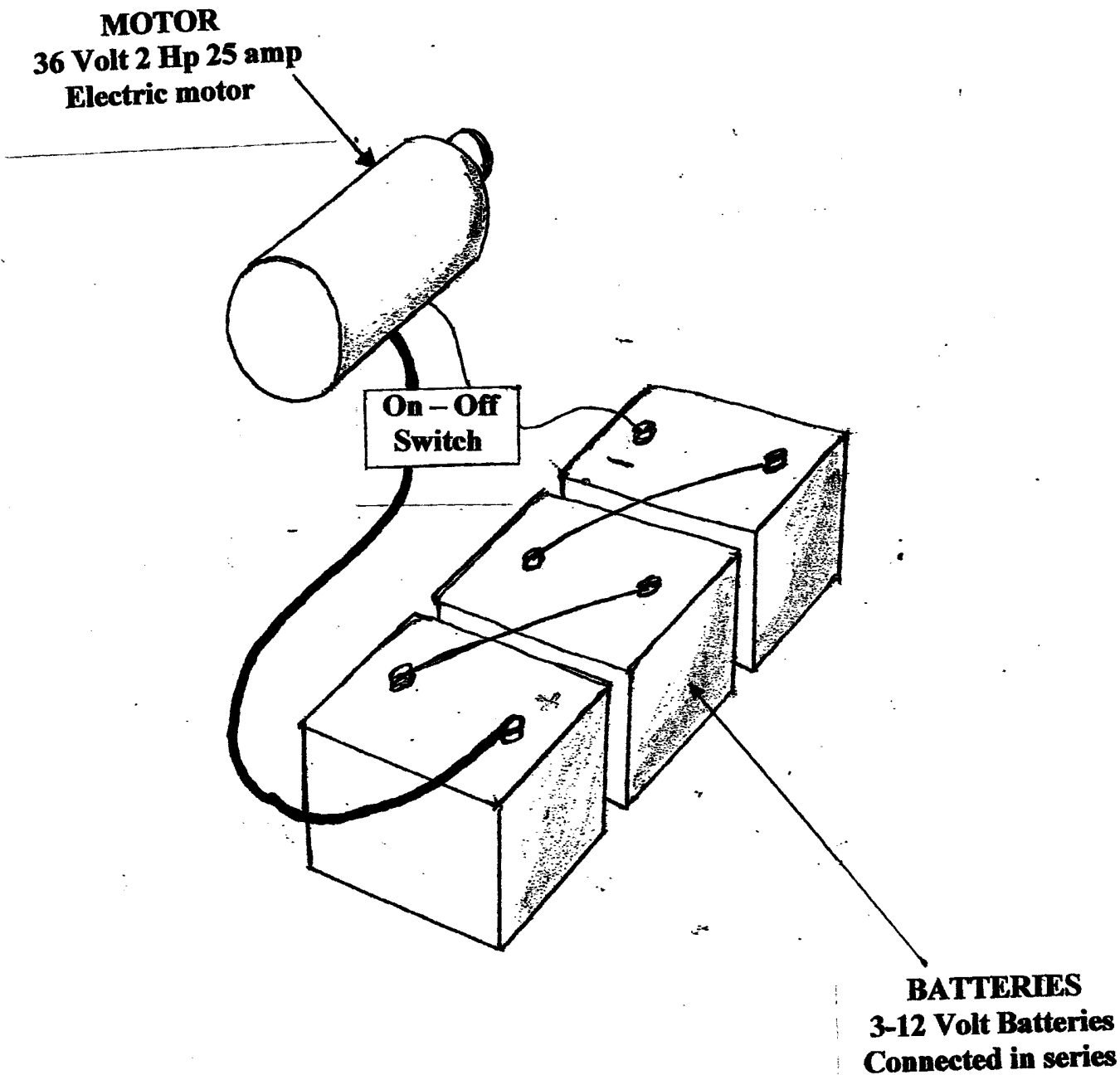
Amended Oct 26, 2010

Application No.	2,694395
Owner	CRETNEY, JOHN
Title	PERPETUAL GENERATOR
Classification	H02K 53/00{2006.1}
Examiner	GUILLAUME MURERE

Amended Oct 26, 2010
Application No. 2,694,395
Owner CRETNEY, JOHN
Title PERPETUAL GENERATOR
Classification H02K 53/00{2006.1}
Examiner GUILLAUME MURERE

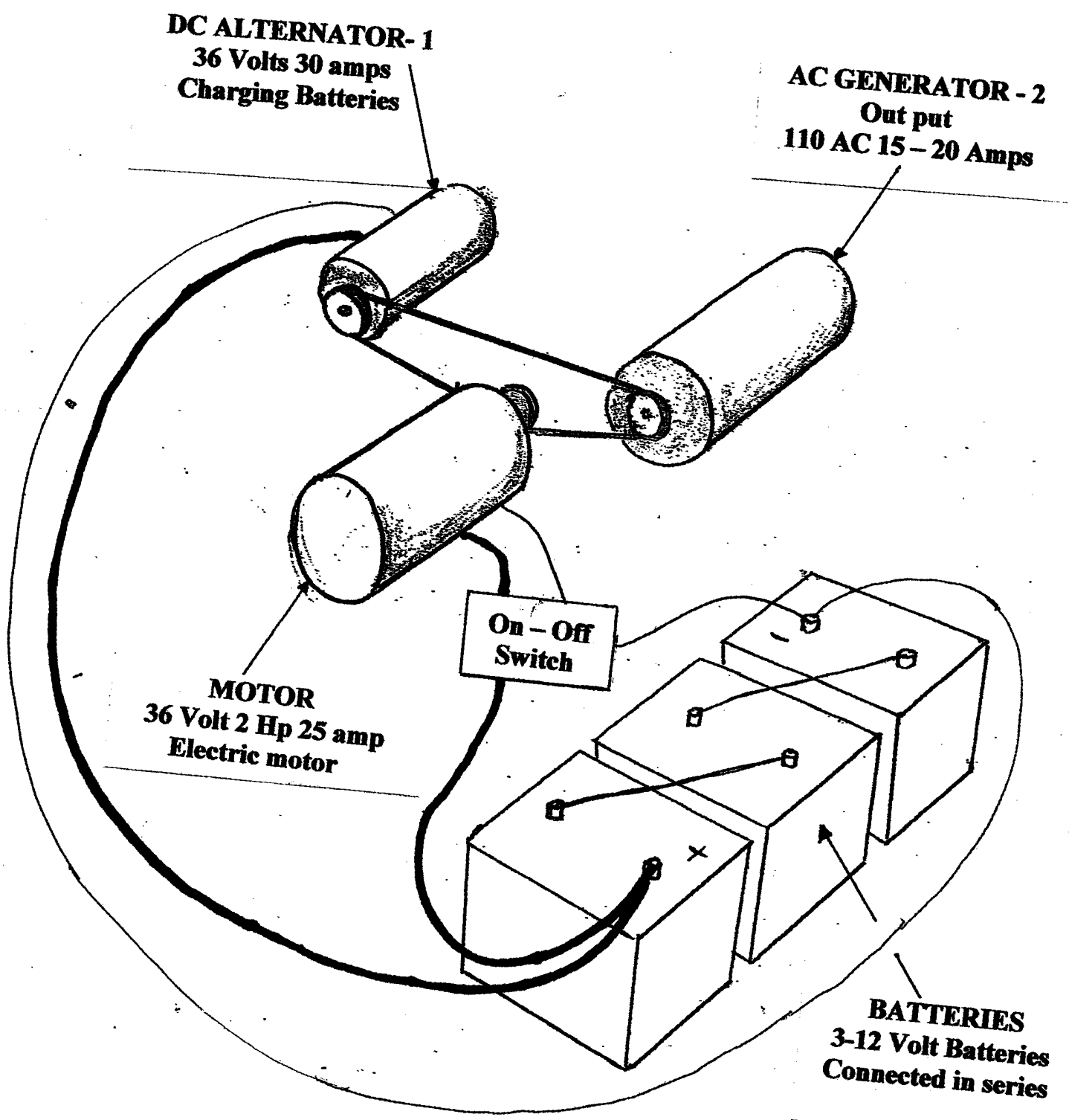
Drawings

Figure 1



Amended Oct 26, 2010
Application No. 2,694,395
Owner CRETNEY, JOHN
Title PERPETUAL GENERATOR
Classification H02K 53/00{2006.1}
Examiner GUILLAUME MURERE

Figure 2



Amended Oct 26, 2010

Application No. 2,694,395

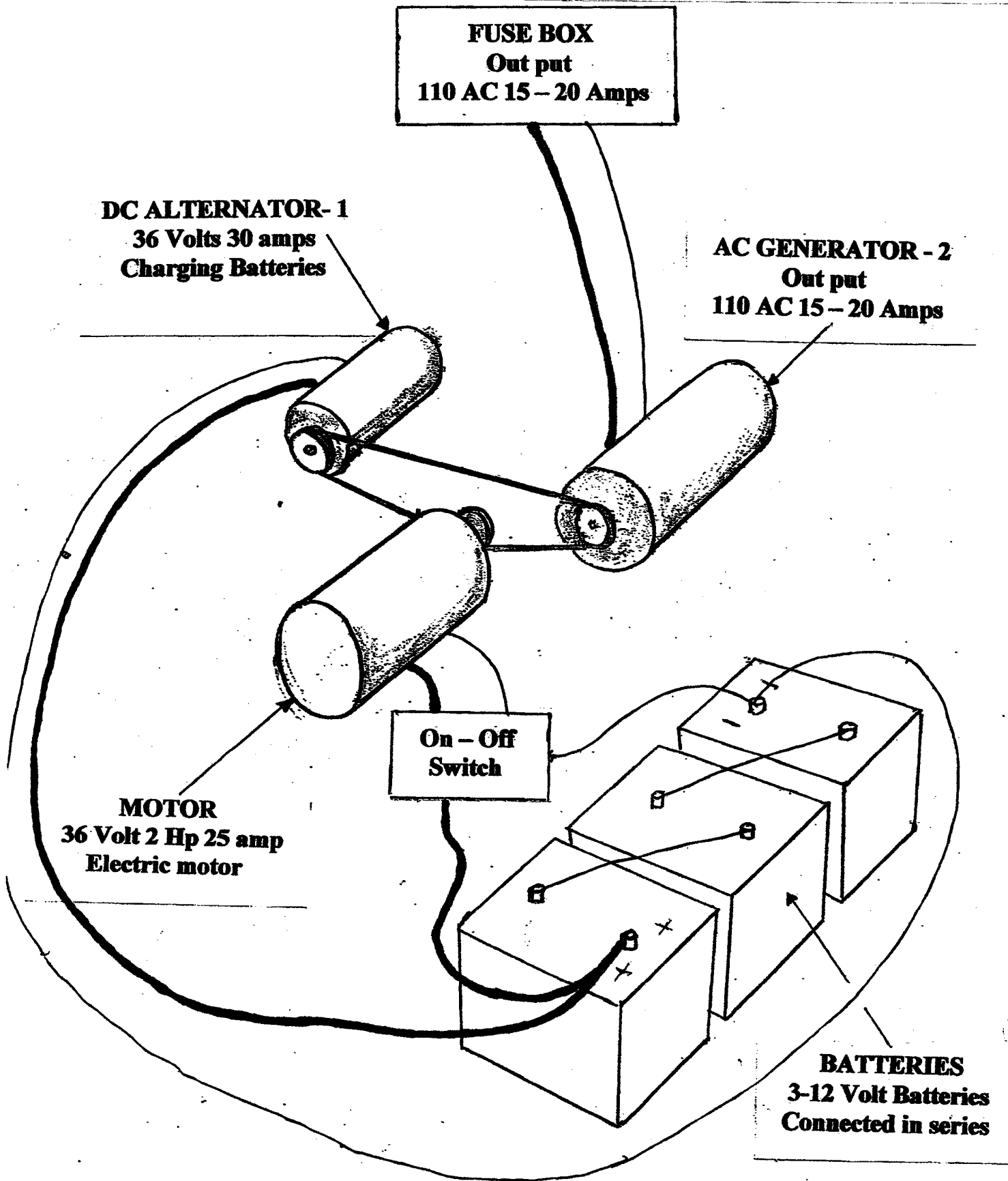
Owner CRETNEY, JOHN

Title PERPETUAL GENERATOR

Classification H02K 53/00{2006.1}

Examiner GUILLAUME MURERE

Figure 3



FUSE BOX
Out put
110 AC 15 - 20 Amps

DC ALTERNATOR-1
36 Volts 30 amps
Charging Batteries

AC GENERATOR - 2
Out put
110 AC 15 - 20 Amps

On - Off
Switch

MOTOR
36 Volt 2 Hp 25 amp
Electric motor

BATTERIES
3-12 Volt Batteries
Connected in series

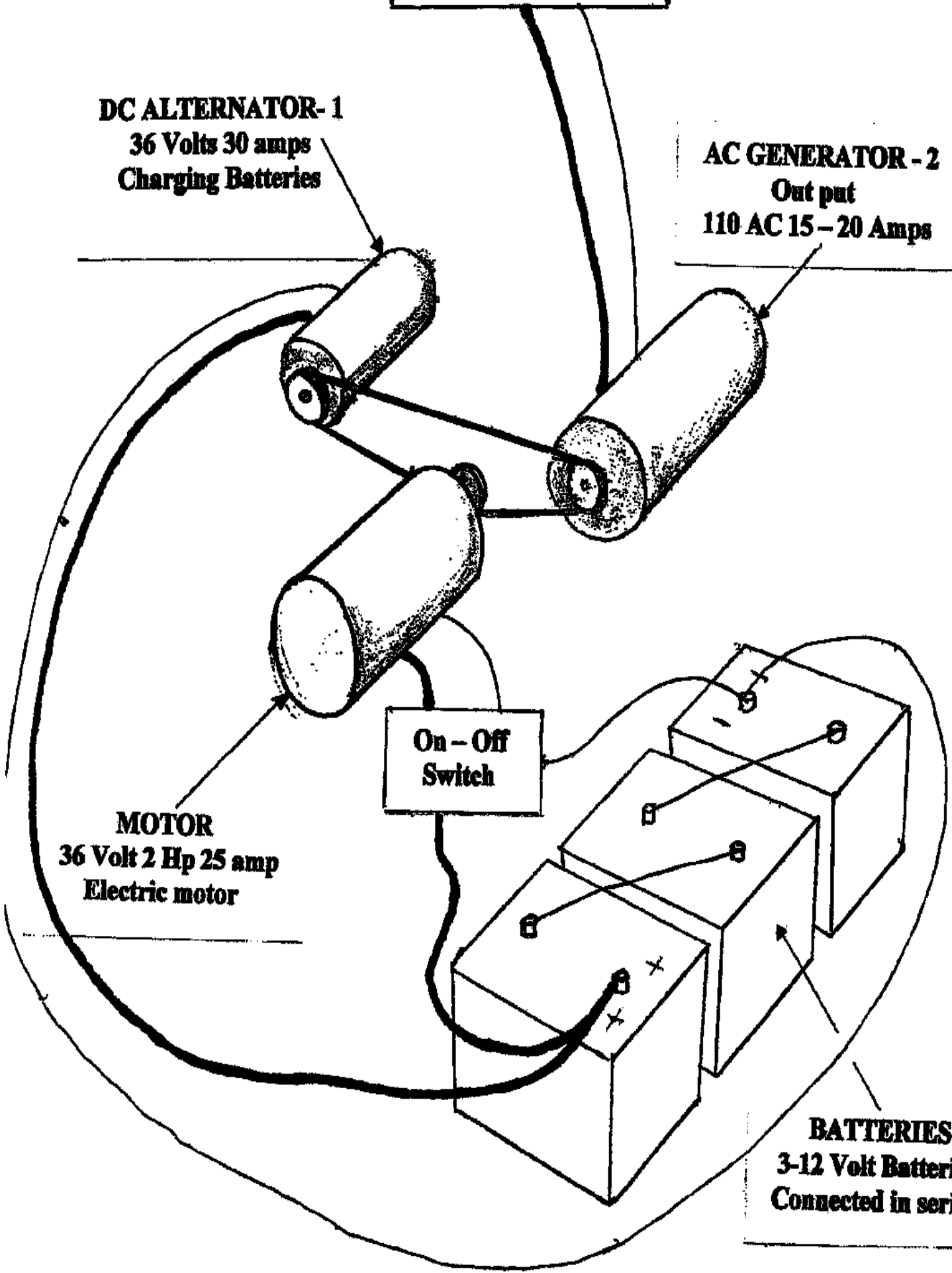
Canadian Intellectual Property Office

Application No.	2,694395
Owner	CRETNEY, JOHN
Title	PERPETUAL GENERATOR
Classification	H02K 53/00{2006.1}
Examiner	GUILLAUME MURERE

FUSE BOX
Out put
110 AC 15 - 20 Amps

DC ALTERNATOR- 1
36 Volts 30 amps
Charging Batteries

AC GENERATOR - 2
Out put
110 AC 15 - 20 Amps



MOTOR
36 Volt 2 Hp 25 amp
Electric motor

**On - Off
Switch**

BATTERIES
3-12 Volt Batteries
Connected in series