



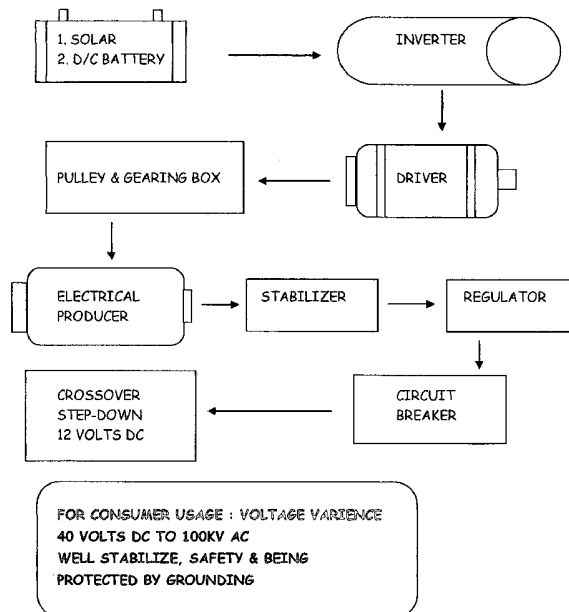
- (51) International Patent Classification:
H02K 53/00 (2006.01)
- (21) International Application Number:
PCT/MY2008/000048
- (22) International Filing Date:
30 May 2008 (30.05.2008)
- (25) Filing Language: English
- (26) Publication Language: English
- (71) Applicants and
- (72) Inventors: IDRIS, Mohamad, Tamrain, Bin [MY/MY];
97-G-07 Suria Tanjung, Jalan Fettes, 11200 Penang (MY). EWE, Teik Seng [MY/MY]; 97-G-07 Suria Tanjung, Jalan Fettes, 11200 Penang (MY).
- (81) Designated States (unless otherwise indicated, for every kind of national protection available): AE, AG, AL, AM, AO, AT, AU, AZ, BA, BB, BG, BH, BR, BW, BY, BZ, CA, CH, CN, CO, CR, CU, CZ, DE, DK, DM, DO, DZ,

EC, EE, EG, ES, FI, GB, GD, GE, GH, GM, GT, HN, HR, HU, ID, IL, IN, IS, JP, KE, KG, KM, KN, KP, KR, KZ, LA, LC, LK, LR, LS, LT, LU, LY, MA, MD, ME, MG, MK, MN, MW, MX, MY, MZ, NA, NG, NI, NO, NZ, OM, PG, PH, PL, PT, RO, RS, RU, SC, SD, SE, SG, SK, SL, SM, SV, SY, TJ, TM, TN, TR, TT, TZ, UA, UG, US, UZ, VC, VN, ZA, ZM, ZW.

(84) Designated States (unless otherwise indicated, for every kind of regional protection available): ARIPO (BW, GH, GM, KE, LS, MW, MZ, NA, SD, SL, SZ, TZ, UG, ZM, ZW), Eurasian (AM, AZ, BY, KG, KZ, MD, RU, TJ, TM), European (AT, BE, BG, CH, CY, CZ, DE, DK, EE, ES, FI, FR, GB, GR, HR, HU, IE, IS, IT, LT, LU, LV, MC, MT, NL, NO, PL, PT, RO, SE, SI, SK, TR), OAPI (BF, BJ, CF, CG, CI, CM, GA, GN, GQ, GW, ML, MR, NE, SN, TD, TG).

Published:
— with international search report (Art. 21(3))

(54) Title: MOTOR, TRANSMISSION AND GENERATOR



(57) Abstract: This device (Fusion Generator) transforms electricity from DC to AC. It does not endangered humans and also the atmosphere because it does not produce any kinds fumes or admissions and will not pollute the environment. The generator works without any refills of any kind of fossil fuel products and it generates propulsion power that will run continuously.

WO 2009/145604 A1

MOTOR, TRANSMISSION AND GENERATOR**Field of the invention**

The present invention is very much related to the daily application of human and the safety of world environmental for the future. In particularly, prices of the petroleum products are getting more higher everyday. The earth are tortured by the over burning of the fossil fuel. Global warming is going to be the most threat as all types of carbon was released in our atmosphere.

Therefore, we as a team of environmental had this kind of thought and has invented this machine which will and can produce electric and delivers it safely with an advanced technology to the end user. The device which we are going to make a patent, which we are going to call it by its trade mark named “DRAGONFIRE” and the model will be named as “ FUSION GENERATOR”

Function of development

For the invention purposes, we are going to declare that this generator does not need a list of common materials which are being used to generate power:-

- i) Any sorts of Petroleum products**
- ii) Any coals or fossil coal**
- iii) Turbine engine**
- iv) Oxygen to operate**

The device will operate safely to the human and environment since no toxic gases were released to the atmosphere. This device will only utilized at the beginning of its starting with a small power as D/C 12volts which powered by the dry cell battery. The units will be self operated with the power recycled back to the main dormain system and the system works independently without any harm to the machine or the human who is operating it. These are the sequence how the machine works.

- I) D/C volts from a dry cell battery either 12 or 14 volts**
- ii) Which will powered the driver**
- iii) That will generate a rotation of 1000 to 40000 rpm by pulley or gearing**
- iv) The alternator will start to generate electric which can be regulated for all needs**

CLAIMS

We are going to make a statement which we wanted to declare that we are going

To protect for the :-

1) Concept of idea

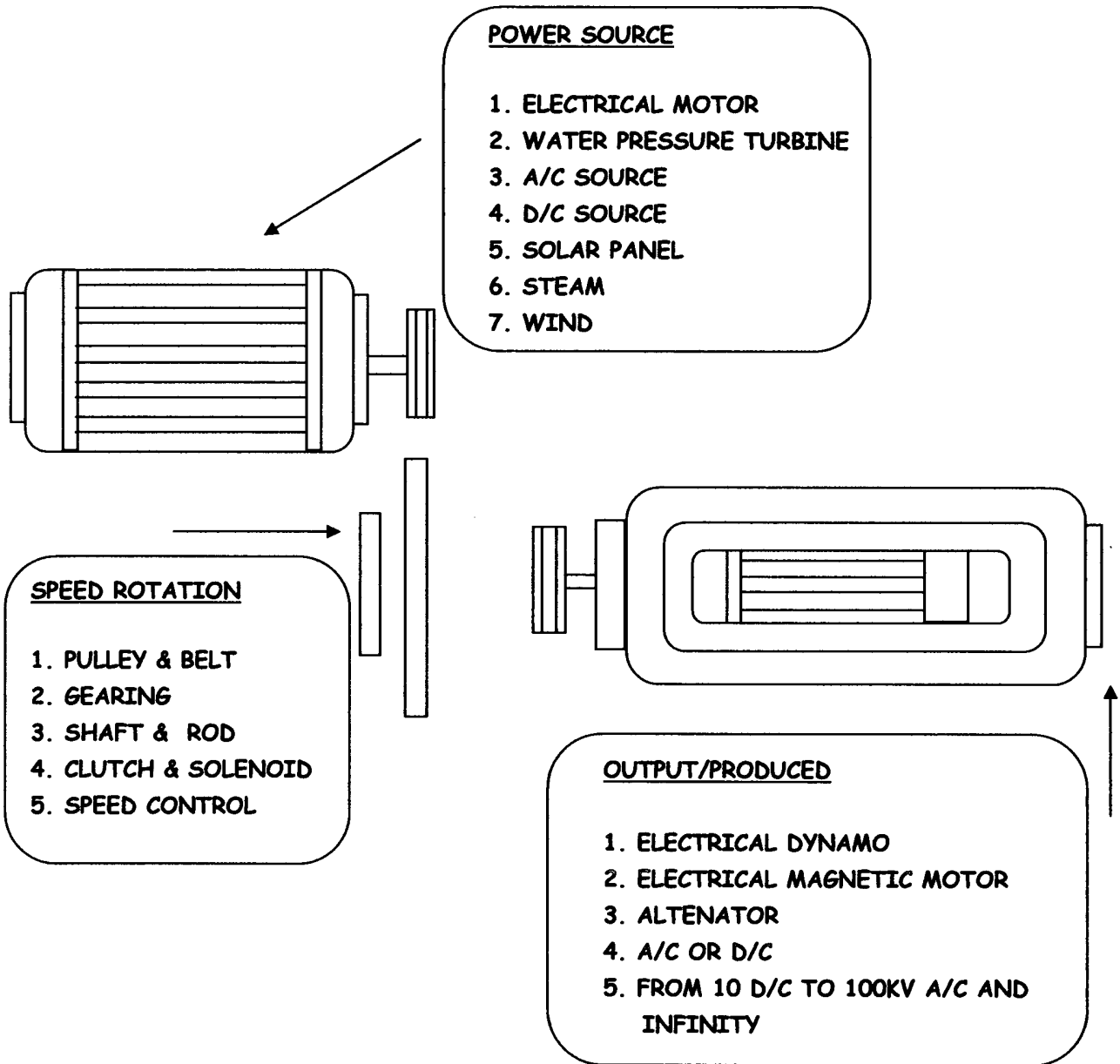
(2) Concept of design

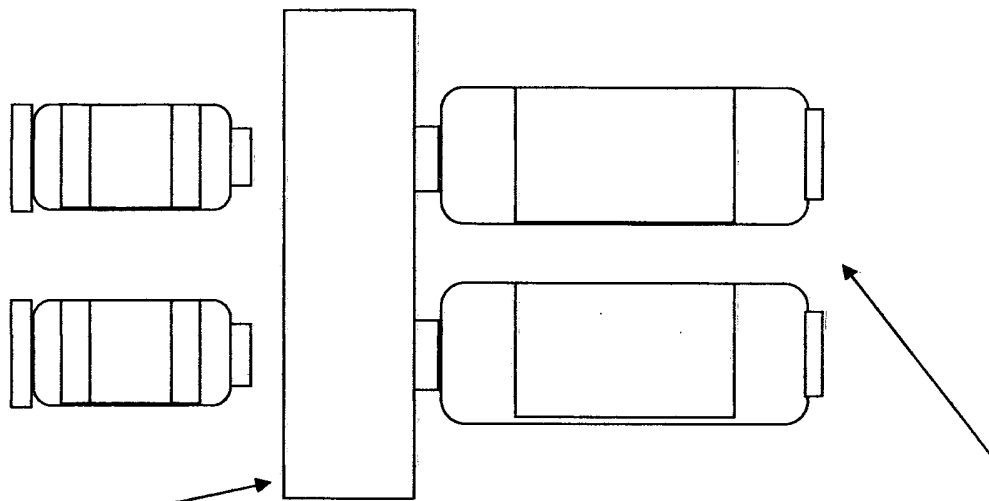
(3) Power produced not jeopardize the human and environment

(4) The safety concept

(5) Sizes

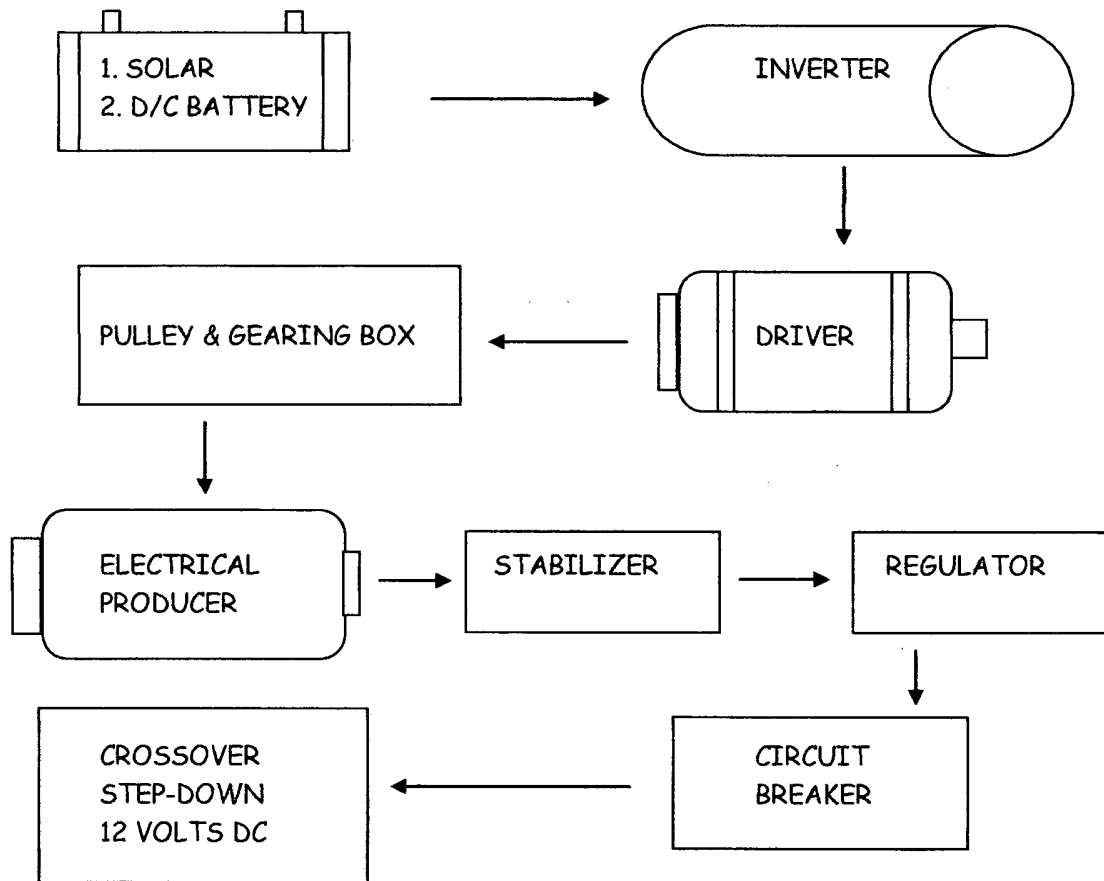
All drawings are attached from exhibit figure 1 to 5 :-



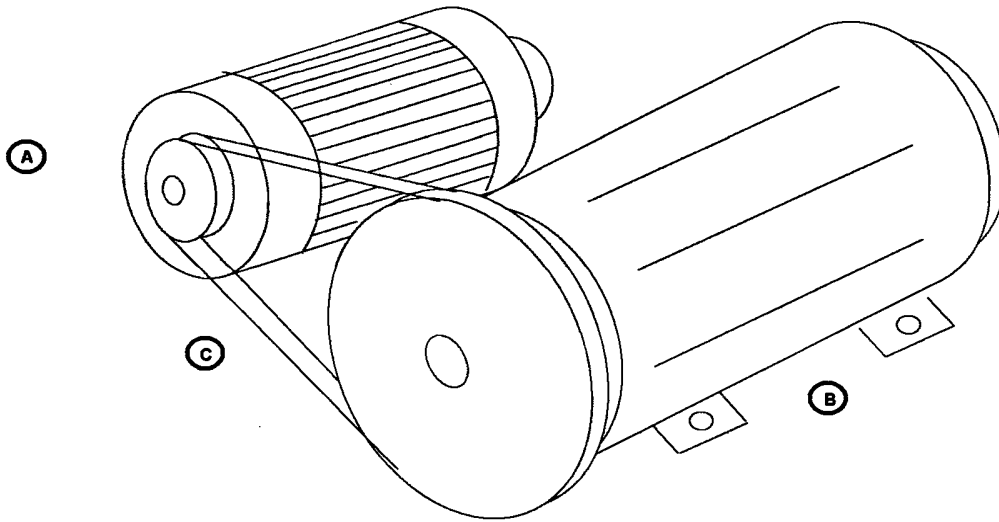


- GEAR BOX**
1. PULLEY & BELT
 2. GEARING
 3. SHAFT & ROD
 4. SHAFT & SOLENOID
 5. SPEED CONTROL
 6. CONSOLE UP

- CONCEPT**
1. TWIN MOTOR
 2. TWIN ELECTRIC CURRENT PRODUCER
 3. TWIN GEARING SYSTEM
 4. AUTOMATIC INTERCHANGE SWITCH
 5. TRANSMISSION BY SOLENOID + TIMER
 6. OVRE-HEAT SENSOR IN THE :
 - i) TWIN MOTOR
 - ii) TWIN ELECTRIC PRODUCER
 - iii) THE GEAR & BELTING CONSOLE
 - 7) GROUNDING
 - 8) EMERGENCY SWITCH

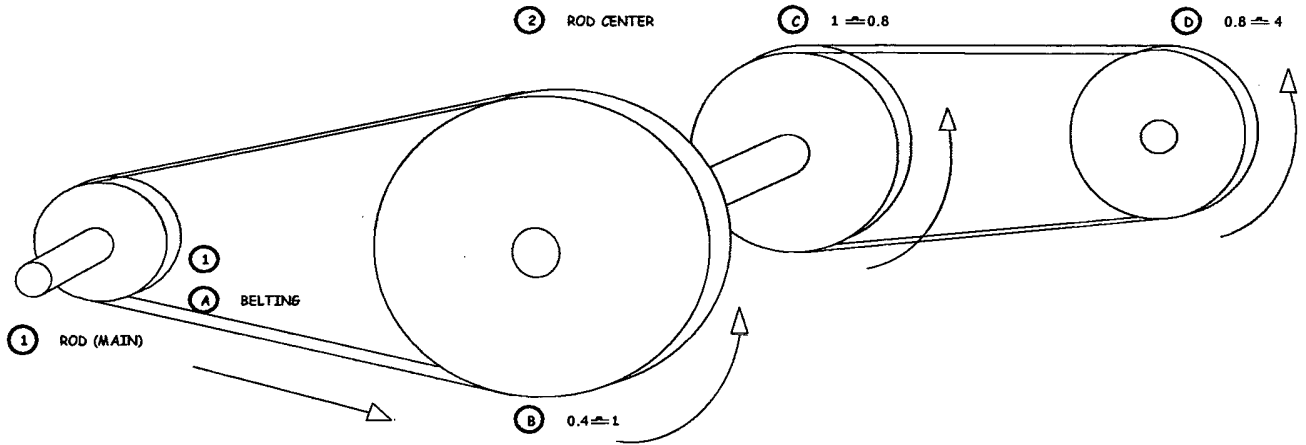


**FOR CONSUMER USAGE : VOLTAGE VARIENCE
40 VOLTS DC TO 100KV AC
WELL STABILIZE, SAFETY & BEING
PROTECTED BY GROUNDING**

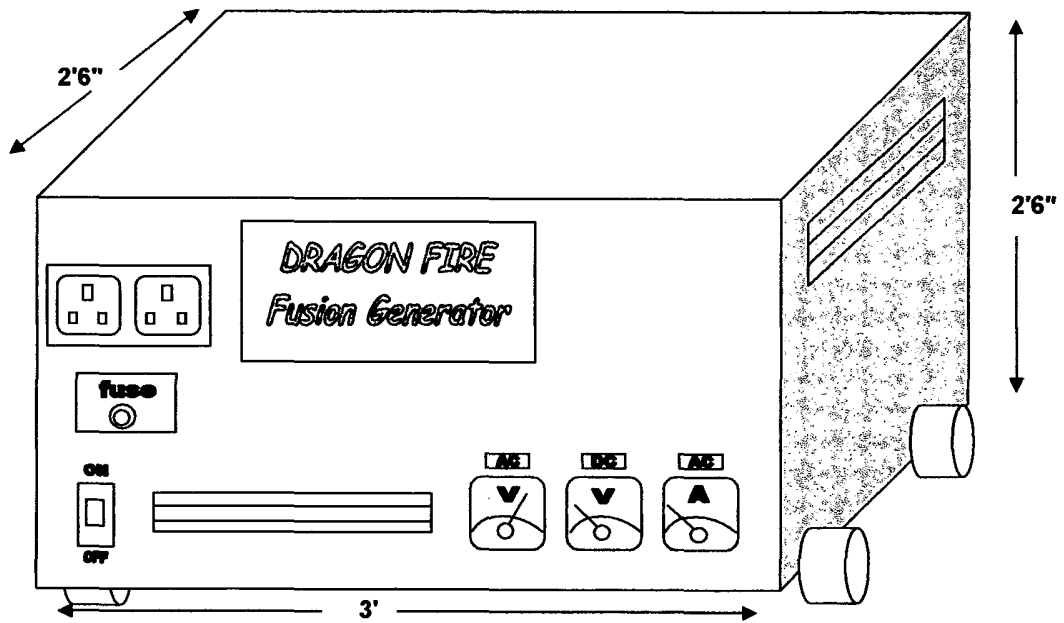


CONCEPT

- A - INDUCTION MOTOR 260V AC/DC**
- B - ELECTRIC DYNAMO - 240V AC - 1 TO 3 AMP**
- C - BELTING 1/2 LBS**



External Casing



INTERNATIONAL SEARCH REPORT

International application No
PCT/MY2008/000048

A. CLASSIFICATION OF SUBJECT MATTER
INV. H02K53/00

According to International Patent Classification (IPC) or to both national classification and IPC

B. FIELDS SEARCHED

Minimum documentation searched (classification system followed by classification symbols)
H02K

Documentation searched other than minimum documentation to the extent that such documents are included in the fields searched

Electronic data base consulted during the international search (name of data base and, where practical, search terms used)

EPO-Internal

C. DOCUMENTS CONSIDERED TO BE RELEVANT

Category*	Citation of document, with indication, where appropriate, of the relevant passages	Relevant to claim No.
X	ANGRIST S W: "PERPETUAL MOTION MACHINES" SCIENTIFIC AMERICAN, SCIENTIFIC AMERICAN INC., NEW YORK, NY, US, vol. 218, no. 1, 1 January 1968 (1968-01-01), pages 114-122, XP002036811 ISSN: 0036-8733 the whole document	1-5
X	US 2004/026925 A1 (TUNG KONG CARL CHEUNG [US] ET AL KONG CARL CHEUNG TUNG [US] ET AL) 12 February 2004 (2004-02-12) the whole document	1-5
X	JP 55 117466 A (FUJIOKA MASA HARU) 9 September 1980 (1980-09-09) abstract; figures 1-3	1-5
	----- -/-- -----	

Further documents are listed in the continuation of Box C.

See patent family annex.

* Special categories of cited documents:

- *A* document defining the general state of the art which is not considered to be of particular relevance
- *E* earlier document but published on or after the international filing date
- *L* document which may throw doubts on priority claim(s) or which is cited to establish the publication date of another citation or other special reason (as specified)
- *O* document referring to an oral disclosure, use, exhibition or other means
- *P* document published prior to the international filing date but later than the priority date claimed

- *T* later document published after the international filing date or priority date and not in conflict with the application but cited to understand the principle or theory underlying the invention
- *X* document of particular relevance; the claimed invention cannot be considered novel or cannot be considered to involve an inventive step when the document is taken alone
- *Y* document of particular relevance; the claimed invention cannot be considered to involve an inventive step when the document is combined with one or more other such documents, such combination being obvious to a person skilled in the art.
- * & * document member of the same patent family

Date of the actual completion of the international search

24 April 2009

Date of mailing of the international search report

08/05/2009

Name and mailing address of the ISA/

European Patent Office, P.B. 5818 Patentlaan 2
NL - 2280 HV Rijswijk
Tel. (+31-70) 340-2040,
Fax: (+31-70) 340-3016

Authorized officer

von Rauch, Marianne

INTERNATIONAL SEARCH REPORT

International application No
PCT/MY2008/000048

C(Continuation). DOCUMENTS CONSIDERED TO BE RELEVANT		
Category*	Citation of document, with indication, where appropriate, of the relevant passages	Relevant to claim No.
X	JP 59 028871 A (HATAKEYAMA SHOJI) 15 February 1984 (1984-02-15) abstract; figure 1 -----	1-5

INTERNATIONAL SEARCH REPORT

International application No.
PCT/MY2008/000048

Box No. II Observations where certain claims were found unsearchable (Continuation of item 2 of first sheet)

This international search report has not been established in respect of certain claims under Article 17(2)(a) for the following reasons:

1. Claims Nos.:
because they relate to subject matter not required to be searched by this Authority, namely:

2. Claims Nos.: -
because they relate to parts of the international application that do not comply with the prescribed requirements to such an extent that no meaningful international search can be carried out, specifically:
see FURTHER INFORMATION sheet PCT/ISA/210

3. Claims Nos.:
because they are dependent claims and are not drafted in accordance with the second and third sentences of Rule 6.4(a).

Box No. III Observations where unity of invention is lacking (Continuation of item 3 of first sheet)

This International Searching Authority found multiple inventions in this international application, as follows:

1. As all required additional search fees were timely paid by the applicant, this international search report covers allsearchable claims.

2. As all searchable claims could be searched without effort justifying an additional fees, this Authority did not invite payment of additional fees.

3. As only some of the required additional search fees were timely paid by the applicant, this international search report covers only those claims for which fees were paid, specifically claims Nos.:

4. No required additional search fees were timely paid by the applicant. Consequently, this international search report is restricted to the invention first mentioned in the claims; it is covered by claims Nos.:

Remark on Protest

- The additional search fees were accompanied by the applicant's protest and, where applicable, the payment of a protest fee.
- The additional search fees were accompanied by the applicant's protest but the applicable protest fee was not paid within the time limit specified in the invitation.
- No protest accompanied the payment of additional search fees.

INTERNATIONAL SEARCH REPORT

International Application No. PCT/MY2008 /000048

FURTHER INFORMATION CONTINUED FROM PCT/ISA/ 210

Continuation of Box II.2

Claims Nos.: -

Present claims 1-5 relate to a method and apparatus which has a given desired property or effect, namely "concept of the idea", "concept of design", "power produced", "safety concept" and "sizes". However, the description does not provide support and disclosure in the sense of Article 6 and 5 PCT for any such apparatus or method having the said property or effect and there is no common general knowledge of this kind available to the person skilled in the art. This non-compliance with the substantive provisions is to such an extent, that the search was performed taking into consideration the non-compliance in determining the extent of the search of the claim (PCT Guidelines 9.19 and 9.20).

The search of the claims, namely claim 1, was consequently restricted to the specifically disclosed apparatus having the desired property or effect, see description and figures (a drive line comprising: a battery or solar panel, a motor, a transmission device, a generator), and to the broad concept of an apparatus having the desired property or effect.

The applicant's attention is drawn to the fact that claims relating to inventions in respect of which no international search report has been established need not be the subject of an international preliminary examination (Rule 66.1(e) PCT). The applicant is advised that the EPO policy when acting as an International Preliminary Examining Authority is normally not to carry out a preliminary examination on matter which has not been searched. This is the case irrespective of whether or not the claims are amended following receipt of the search report or during any Chapter II procedure. If the application proceeds into the regional phase before the EPO, the applicant is reminded that a search may be carried out during examination before the EPO (see EPO Guideline C-VI, 8.2), should the problems which led to the Article 17(2)PCT declaration be overcome.

INTERNATIONAL SEARCH REPORT

Information on patent family members

International application No

PCT/MY2008/000048

Patent document cited in search report		Publication date	Patent family member(s)	Publication date
US 2004026925	A1	12-02-2004	US 2004080227 A1	29-04-2004
JP 55117466	A	09-09-1980	NONE	
JP 59028871	A	15-02-1984	NONE	