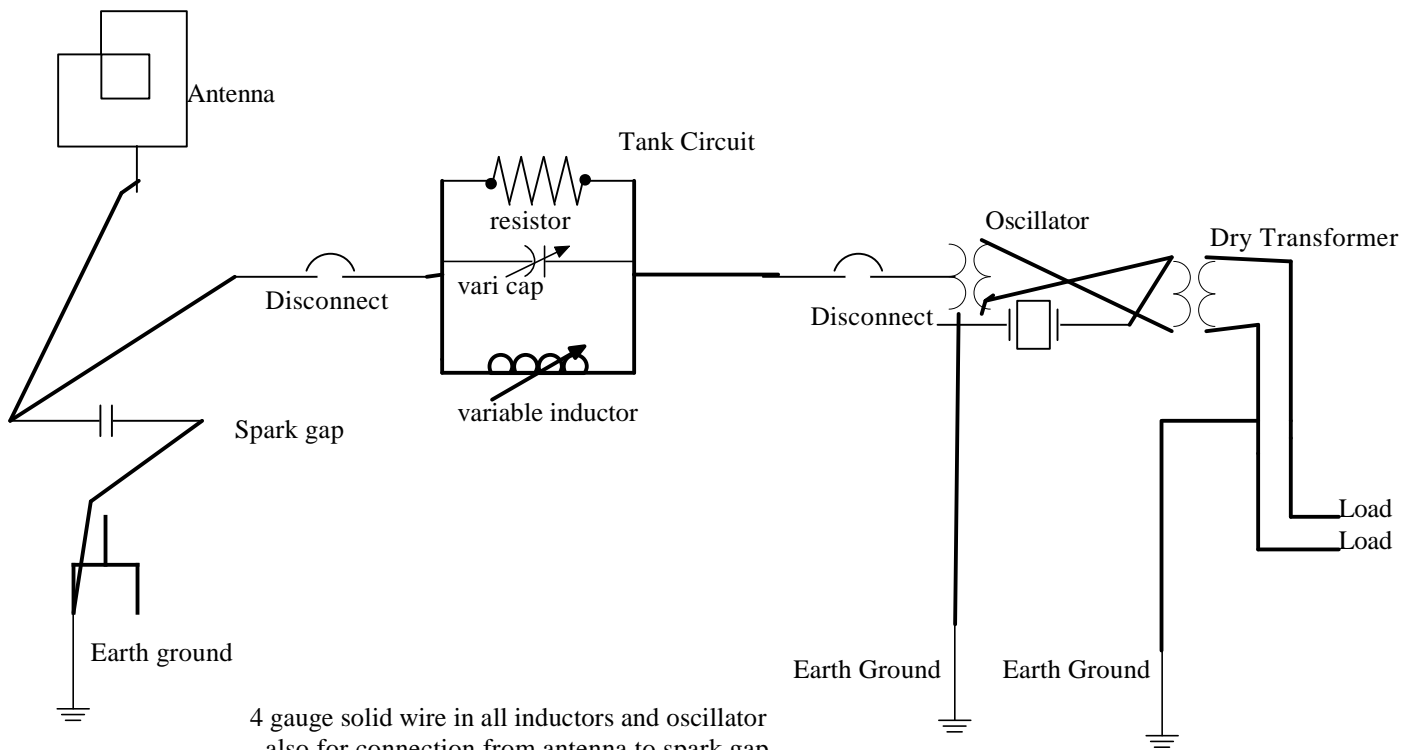


# Modified Tesla Radiant Energy Collector



4 gauge solid wire in all inductors and oscillator also for connection from antenna to spark gap.

Quadruple the number of 4 gauge wires from the spark gap to the earth ground.

All loads must have a separate Earth ground to complete the circuit.