

# Panacea-BOCAF On-Line University

The educational series covering clean energy technology towards building our children a future. [Panacea-BOCAF](#) is a registered **non-profit organization, dedicated to educational study and research**. All copyrights belong to their owners and are acknowledged. All material presented on this web site is either news reporting or information presented for **non-profit study and research**, or has previously been publicly disclosed or has implicitly or explicitly been put into the public domain. **Fair Use applies.** [Contact us.](#)

Overview.....

Description.....

Replication.....

Faculty information.....

Patents.....

Technical support forum.....

Videos.....

Resources.....

Credits.....

## Overview

The following overview has been provided by [Peter Lindermann](#).

*The original circuit was developed by Ronald Brandt. The 1983 date of the Brandt circuit pre-dates [John Bedini's](#) work on this system. Ron's circuits used mechanical (as opposed to solid state) contractors as switches, but apparently worked quite well, as long as the contractors lasted. John was the first to adapt this circuit to solid-state switching, using the SG 1524 dual flip-flop functions and bipolar transistors as the switches. John has told me that his "cigar box" unit ran a small electric motor for more than 6 months without discharging the batteries AT ALL. He also told me that the original working model was smashed by a "guest" in his shop who was infuriated by its operation, while John was out of the room. At this point, he decided not to rebuild it.*

*I know John personally, and have no reason to doubt this report. Obviously, the voltage drops in the transistors and diodes present a CONSTANT loss during operation, not to mention the energy dissipated at the load. Therefore, the system defies all standard*

*explanations and energy use equations. The batteries apparently stay charged and run loads simultaneously for a reason that is not conventional. Since Ronald Brandt has run a car on this system, and John Bedini has run small motors on miniaturized version, it seems reasonable to assume it is worthy of more study by experimenters. It is recommended that you read a lengthy report; written by Eike Mueller, dated September 3, 1984 entitled "EXPERIMENTS WITH A KROMREY AND A BRANDT-TESLA CONVERTER BUILT BY JOHN BEDINI With Comments by Tom Bearden 1984 33 pages. Open source Rick Fredrick has this booklet available for sale on [his web site](#). Or you can [download this from the energetic forum](#). Technical discussion links and related links will be listed at the end of this course.*

**Ed-Note some engineers have experienced failures from the circuits listed in this report. These will be covered in the faculty section; this is for a point of study in order to evaluate the process further.**

*This paper discusses tests of this system. Perhaps John would be willing to comment further on this at some point. But maybe he won't. After all, it was John's demonstration of this system at the Tesla Conference in 1984 that precipitated the events that culminated in having his life threatened if he continued his work on it. **I know of no one who has had their life threatened for working on a technology that didn't work!**—End*

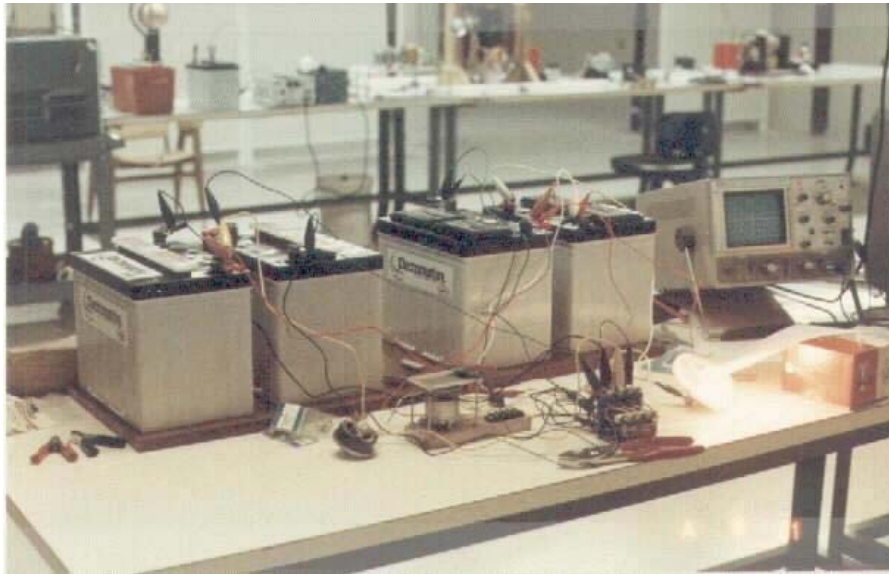
**The concept of this device is simply to allow the batteries to self charge and run a load.** Reports by experimenters have stated that even if the circuit is not performing this self running function, it still allows a better than normal efficiency from the battery arrangement. This so far has been shown in the mechanical or rotary switched version as opposed to solid state version.

Given the efficiency reports by John Bedini and these results, this is an invaluable power management process which the mainstream faculties must benefit from and must investigate further. **As a potential emission cutting device and power savings device alone, this technology justifies (and needs) law for its mandatory implementation.** Faculties must endorse open source engineers and investigate or this technology will continue to be held back from the public.

The Nonprofit organization Panacea-BOCAF intends to support open source engineers working with the Tesla switch and other suppressed clean energy technologies. These engineers require grants, resources, faculty recognition and security. All this can be created in [Panacea's proposed granted research and development center](#). For those able to help this effort, please [Contact us](#).

## Description

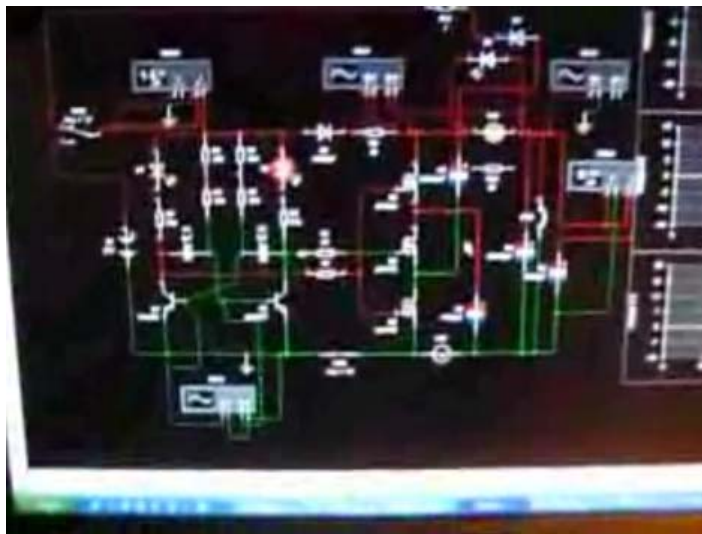
The name for this device comes from the original Eike Mueller Kromrey and Brandt "Tesla converter" report which was built by John Bedini. This device has been coined as the "Tesla Switch" or "Brandt switch". The concept, which had originated by [Nikola Tesla](#), was given to John Bedini by Ronald Brandt, who was a personal friend of Nikola Tesla.



This is a picture of the Tesla Switch built by Eike Mueller the load is 350 watt quartz light-[Source](#)

According to the related history, this **switching device** was tested by Nikola Tesla and a third party company. Reports state that Tesla used this without stopping for months. The way this device works (if working properly) does not comply with a CURRENT mainstream scientific explanation. This device runs the load and whilst keeping ALL the batteries FULLY charged.

Other reports state that at the [Tesla technology symposium](#), John Bedini demonstrated an inexpensive, cigar-box sized Tesla-type converter he had built. Throughout the demonstration, which lasted a full 24 hours during the symposium, a constant load was being drawn out of the system to do work, Nevertheless, the converter kept the nickel-cadmium batteries fully charged -[Reference](#). Even in this [simulation of the circuit](#), it is showing interesting properties, that is to say the least.



An electronic simulation of the circuit done by Fausto

Quote- *My simulation is running by itself for a good time. I can't wait to build it and test it for good.* [plengo](#) – end Quote.

This may be a problem for some to accept. However based on the reports of this device and of other devices which have been suppressed, this shows that what is taught in electronics and electricity is seriously lacking, and currently it is only enough to keep minds contained in a box that does not allow new innovations. **So use the electronics background knowledge to build it, but not to close your mind off from the possibility of getting it working or learning something new.**

Researchers such as Nikola Tesla and [Wilhelm Reich](#) have already proven that there is allot more to learn about electricity then is obvious. There is more than one kind of electricity and it also goes at different speeds. Electrons themselves move very slow, electricity moves fast. The theory behind the Tesla switch circuit is that when the switch is closed it takes a certain amount of time for the electrons to respond and the current to flow etc, and before it can respond the circuit is changed again. So one type of electrical phenomenon is utilized and another one is suppressed. You won't find this information in any electronics class at all. They are anomalies that got voted out of the theoretical systems because the complicated things too much, sad part is these may have opened the door to Free energy, ether etc etc.

It is first logical to assume that devices can be configured as open systems to receive additional energy from the environment and allow them to perform with a co efficiency of more than one. The theory of such an operation as it relates to this device will be discussed in detail in the faculty section. This document will also be updated with ongoing replication tests done by Panacea-BOCAF and other open source engineers.

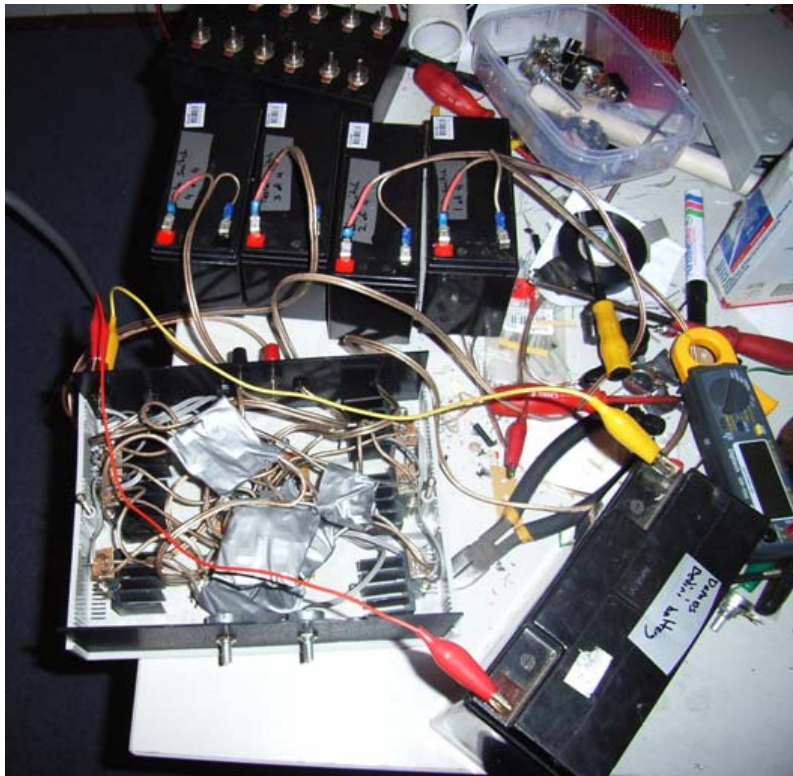
More theories of the operation of this device will be covered below in the faculty section.

Another Tesla switch report states that the <http://www.electrodyne-corp.com/> was able to run a load more efficiently than as normally would of normally been possible in case of connecting the batteries. More discussion and detail on this has been included in the faculty section. It is important to realize that the Ron Brandt Switch, (maybe Tesla inspired), originally did not work with solid state switching. This was collaboration between Mueller, Bedini et al. John Bedini did get a solid state version going - cigar box job. **If you search, I think you will find that he found the exercise very frustrating, because, the circuit had to be thoroughly tuned - down to the lengths of wire.** Could you imagine the calculations involved in that?

And then, here was a simple arrangement from Ron Brandt running his car around town, recklessly avoiding the tuning problem, with its "chattering" relays and no tuning. THIS report suggests that in this electronics instance, solid state has its limitations.

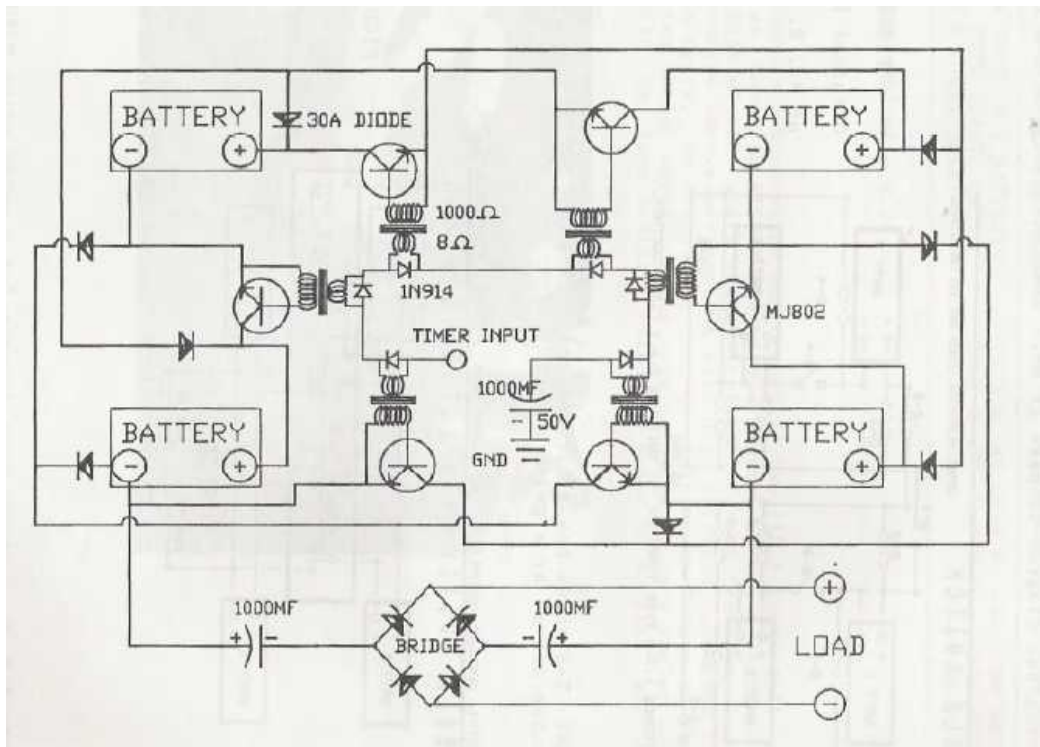
In the early days of discreet solid state circuitry, one engineer reports that he worked with a company that manufactured large desktop calculators. From his memory, the gates operated at 12 volts cut off. However, these were early days and we also incorporated valves for certain functions. To get a sharp straight leading edge pulse, the system used a two step voltage. The pulse would see 150 volts but the gates would cut in at 12 volts. Hence, a nice clean sharp leading edge. Excellent cut off at 12 volts. The engineer in question is not saying that this Tesla Switch system needs dual voltage. **What he is saying is that it is the pulse that is the important concept to understand to drive the recharging.**

## **Replication**



Panacea's solid state version

The above solid state replication was done by Panacea. This solid state version was modeled off the schematic from the Eike Muller report.



Schematic taken from the Eike Muller report

We were not successful with our attempt. **We wish to emphasize that is not our intent to discourage people from trying this version due to our failure to get THIS circuit working.** Our failure could be as a result from any number of reasons. Please experiment with it to learn the circuit. New information as to WHY this version could of failed has been included in below.

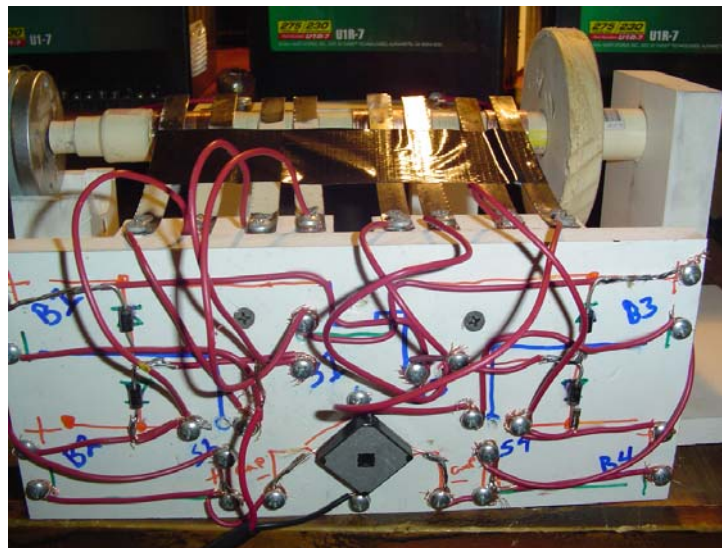
**What we do wish to emphasize is that we may need to replicate the mechanical version to understand the effects FIRST before learning how to do this in a solid state version.**

We are basing this reasoning on a report Panacea received from an open source engineer who has been able to build a mechanical version. Matthew Jones was able to free wheel his motor and charge the batteries. This is the most successful replication results we have seen to date. Also many more are of the opinion that the mechanical switching is the key. Also the mechanical switching meets two of the three requirements listed by Peter Lindermann as the needed for proper function of the circuit:

- 1) Abrupt switching
- 2) Electron current blocking

Also for the needed impedance matching and balancing, the simplicity of the mechanical reduces the number of variables. A mechanical switching arrangement is an element common among other so-called free energy motors like the "EV Gray Motor" and the "Adams Motor".

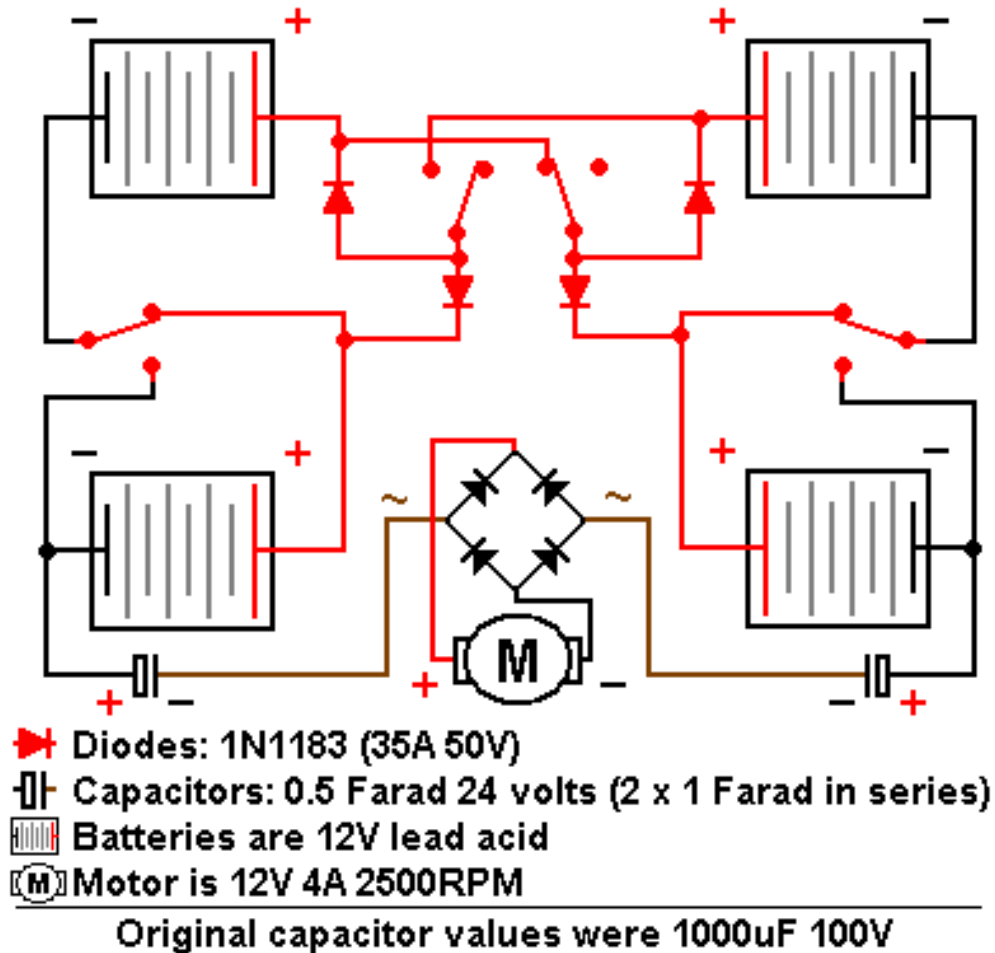
### Matthew Jones Tesla Switch



Matt's Tesla Switch

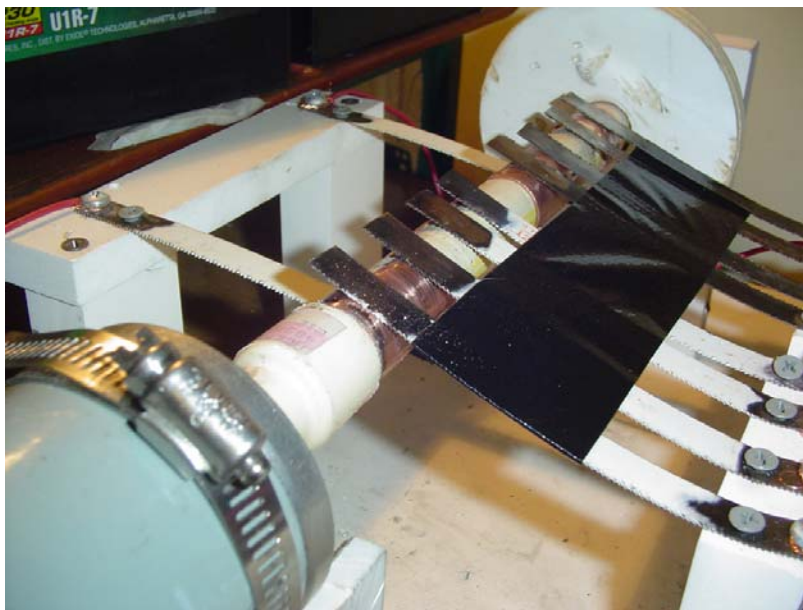
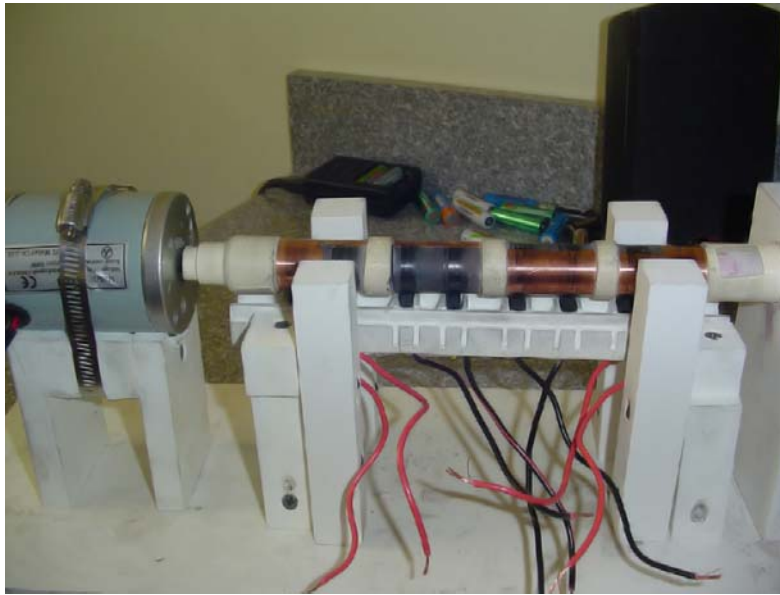
*My newest system is charging batteries. - Matt*

So far Matt has achieved the best results that we know of. Here you can see the video of Matt's set up which as he reports [maintains battery charge and delivers power on the shaft](#). To replicate this set up you will need the following:



12 volt motor, 0 - 4 amps, 2500 RPMS  
the Diodes and bridge are 1n1183

The capacitors are 24 volt .5 farad stereo capacitors, Rockford fosgate. The 1000uf 100volt do not work with anything higher than about.3 amp, so Matt had to switch. Matt is switching 160 hertz 4 times per rotation of the motor. So that means each back of batteries goes from series to parallel 2 times. So if you're going to duplicate this exact set up that's what you want use. For the shaft Matt used some OAK circles bolted onto a piece of all thread. Then Matt lay copper over the oak and nailed and glued it. Anything along these lines will work.



View of Matt's mechanical Tesla Switch

Matt states - The first tests with 24volt didn't look to good. So I got 12 volt motor and I am going to switch back. I believe the problem is the 24volt arcs too much, sending current to ground if the timing is to close. Plus putting the batteries in series has some weird effect on the charging. One battery will get suck down and the other will get over charged and dissipate anything coming into it. I don't know why.-End

Matt has his own theory to the operation of this device this is included in the faculty section below. Experimental suggestions to improve this device include using inductance in the setup to resonate with. Wind an inductor that resonates at his Hertz.

This will be a lot like Tesla's ozone patent. The only real difference being the source is a set of batteries arranged to give an offset potential rather than just shorting a regular battery to drive the setup. Also if you were to add a fan to the shaft and power a "toy" wind mill. Matt states -That would work but you don't need the motor attached to the fan. You could just use the switches on the fan. I would gear it a bit so it switches faster than the fan spins. If charging is going to take place then it should happen. Talk about wind power. Essentially that would be something like a NO mechanical load generator. If not you could simulate it (wind) by just powering from a separate source to see if charging happens. You could experiment with frequency. Go up to 200 hertz.

If it doesn't you could try putting 2 north face coils on the same flux as a load while the switching is happening. As long as you got OFF time you should get radiant spikes and be able to collect them. I know that would work for a fact. I have done similar thing on some of my homemade stuff. I figure even if the switching action doesn't charge the batteries on the long term I can take power off the generator end and that should sustain the system. And keep the light on :).

I am also going to switch my brush design back to a "Finger Style". They seem to do better than the spring loaded thing I used this time. I'll have to use a flywheel and a brake to put mechanical load on the motor. Or maybe I'll find another motor to use as a generator. All 3 ten minute tests produced energy in the battery. Shutting the load off between cycles is defiantly a key element. As for testing the results; the best test is timed discharge thru lump resistance or lamps. The voltage doesn't necessarily show that its working... it could be surface charge and loading the banks will show if that's true in short order typically.

I'm not sure how 4 banks of 24 volts of batteries would be laid out to work as a Tesla switch. Typically it would be two 12volt cells in series and two 12volt cells in parallel. The negatives would be commoned from the series and parallel stacks. The load then would go between the positive poles of the two stacks and that's where the voltage offset is at. The voltage on the parallel stack would increase while the voltage on the series stack would decrease.

This could be emulated in taking from one battery into two cap's that are laid in series first, then disconnecting the single battery from the 2 caps, reconfiguring the two caps in series and then shorting the series caps back into the one battery that initially charged them in parallel just one of many possibilities.

This schematic is a duplication of a schematic that was supposed to have been drawn by Tesla and given to Ron Cole. Ron Cole in turn gave it to John Bedini and others. What I have done is started switching (32 time a second) them from series to parallel rapidly. One bank will be in series and one bank will be in Parallel, given the position of the cam shaft. They will always be opposite of each other. The reason I have 24volt

banks is due to the fact I have a 24 volt motor. What you describe as typical only applies if you need 12 volt for a load.

2, 24volt banks in series give 48volt. Then On the parallel side i have 24volt. It's the difference in the potential of 24volt. So I can power a 24volt load now. I also do not use the positive poles. They are used for switching. My load is run off the ground side of the batteries as outlined in the above schematic.

It hard to look at the voltages on the batteries because of the switching. Depending on the meter (mine are old) they only sample at given times. With the rapid switching it takes about 5 minute for the loading up to start showing itself on the meters the way I hooked them up. Initially you see a load on the battery then the voltages start to climb. In previous version of the tesla switch (12 volt system) I had running for some time the voltages on the battery would climb to 16volt per battery watching it in real time. Over all though the system lost energy in the long run if you measured the batteries before and after each run.

I can measure the system while it NOT running, then run it, and measure the system again after some rest time, but that cannot provide me with the correct data to calculate COP of my batteries. One thing you got remember In a ONE way system like you describe, You could calculate COP based the Voltage and Amperage used outer one bank and put into the other. But IN system in which all the batteries charge this same way of measuring, in all is not valid (I think).

In this case we are not looking at the mechanical load which we use. That is easy, if the 24volt motor is pulling 2 amps over an hour I produced 48 watts hours of shaft energy. If the batteries didn't lose any current during this, I have infinite COP similar to a solar panel or an Hydro Electric dam. BUT.... What is the COP of the BATTERY when the batteries CHARGE????

I need to know the COP of the battery because this is where the charge take effect. I am passing current back and forth. Of course I have loss in the system and I am using current. But how much if any is the battery making, or reabsorbing. I hope you're following me.

The circuit is a novel one. In most cases free energy device transfer energy from one side to another. Anything gained is considered free. It's easy to find. I also want to document some load cycles, but I am not real sure how to present the data. I can build things fairly easily, I just have a hard time thinking up the Bookwork to prove by the numbers they work. I also don't know what I should pay attention to during testing.

**Advice on Matt's replication by open source engineer Gene**

The circuit is another iteration of the MANY iterations of a Tesla switch type layout. Lots of ways to make the potential relative. I see why you are using 4 x 24volt stacks now that you explained you need a 24volt offset for the system to drive the 24volt motor which rotates the cam. Switching on the positive poles or the negative poles is arbitrary... Ur right that the Cole circuit switches on negatives, maybe there is a benefit to this, I'm not sure as I've not spent time messing with it.

In a battery the positive plate accrues matter to go dead... the negative plate gives up matter to go dead. Perhaps the switching on the negative plates keeps the matter that's being given up to constantly replace the negative terminal at the lower relative potential. Can you do anything other in parallel, like run a lamp or whatnot? Is there any usefulness to just transferring power back and forth between the battery stacks when you note you are still seeing an overall drain on the system?

In addition to your COP question on the batteries, I'd think that a simple set load test with a resistor to allow the batteries to discharge at their C20 after you've charged them should let you have an idea of if the charge is real, or if its surface charge. If you're not familiar with what the C20 is... it's the amount of current that can be drawn from the cells over 20 hours of use... like a 7Ah cell would find its C20 by doing  $7\text{Ah}/20\text{hours}=.35\text{amps}$ ... or thereabouts. might be better to shave like 50mA off that and call it 300mA for 20 hours of use. Then you find the resistor that you can short the battery thru that allows for this draw for that 20 hour load time and see if you get better performance with test after test.

Tesla is doing one thing that you are still not doing... and that is pumping the charge thru a primary at its tuned resonant frequency... this is what allows you to use the full source volts/amps but since its driven at resonance there is really no current consumption and this current consumption is what makes a battery dead... the volts aren't consumed... they are leveled by the exchange of matter from the two plates via an internal current in the battery and an external current thru the "working circuit."

One thing you'll note from Coles and then JB's iterations of that device is that there are audio transformers interspersed. no doubt he is driving those audio trafos at their resonant frequency. In reply to your counter-question of "how much does it cost me for 1hp?" are you asking in terms of watts being the 768 watt figure? Or in terms of shaft torque? I really doubt you're getting 1hp from the little 24volt motor but you could certainly verify that with a prony brake test. I'm not sure what "10 volts left to play with" means... You note the motor takes less than 2amps to run... how many amps are being drawn in parallel to the "other" load? What's the cumulative value? The current is what relates the watts as you've already noted that you're using 24volts as the potential offset... not sure how 10 volts left fits into that picture.

The negative plate thing is the basic and simple understanding of how a battery "goes dead". If you snag a battery book it will explain it to you. Bottled energy is a decent book in this regard. This talk of divergent and non-divergent energy is not a simple conversation to have. Do you know what Divergent and non-divergent means? Are you familiar with the poynting vector? It is good you've read beardens book. How do you load test the batteries?

I have a custom controller I built that sort of does what you're mechanical iteration does... tho at frequencies in excess of 1khz... I can let it bounce charge back and forth between just 2 batteries, 12 volts each... I can tweak it to cause one to gain more charge while the other loses charge or I can balance it so that they both read out at about the same volts... at which point it seems to slowly gain charge on both... It serves no useful purpose as once I load it both batteries sink in charge. (then again these are just 2 x 7Ah 12volt gel cells... and I'm running the charge thru a trafo that will take a full 7amp pulse... far in excess of the 350mA that should be drawn.

The simple understanding of what Bedini does is he applies high voltage near-current less pulses to batteries plates to cause them to draw from the electrolyte the currents to plate the two plates in each of the 6 cells in the 12volt WET lead acid battery. He applies these pulses in varying degree... from higher current lower voltage lower frequency pulses from 3-15hz... to high frequency low current pulses at higher voltages at the normal SG range of 250-350hz... this usually without the 555 to decrease the discharge impulse frequency. As applied to the Tesla switch, he doesn't do this with straight wires...he uses inductors...

One other book you should look at since you're sort of going at stuff Bedini did 15 years ago is the "free energy generation" book put out by cheniere press. Bedini had a single battery driving a DC motor turning a flywheel with custom axial flux rotor on the far end that kept his ONE source battery charged... however it wasn't good for anything else... (tho perhaps it could have been with multiple axial or radial perm magnet rotors tied to the same axle.) There are multiple methods of generating voltages to fill caps... The same "Tesla switch" can be applied to semiconductors... I know as I've done it. ;) All things are relative.

### Matts' response

I can usually pull an extra load off the rectifier on the 24v system I have about 10 volts left to play with. I usually don't load any higher than what the meter shows me while the system is running because the motor starts to slow down and more loss occurs. The first 3 machine I built defiantly lost both in the power side of the circuit and the motor was not strong. The 4th one actually charged the batteries but was built like crap and had a short life. That's the one you guys have seen in the video. I have sent Ash further video of the latest build.

The loss in it (My 5th one). Is minimum. a one hour run cost the battery voltage to drop .01 - .04 over \*8 batteries. Some hold steady other lose just a .01 - .02 volt off the overall. I could sneeze and the battery might lose that much. The speed on the motor are maxed out. The amp draw is 2 amps or less, The motor could run no faster. I could increase the mechanical load though. Maybe add a generator for greater production.

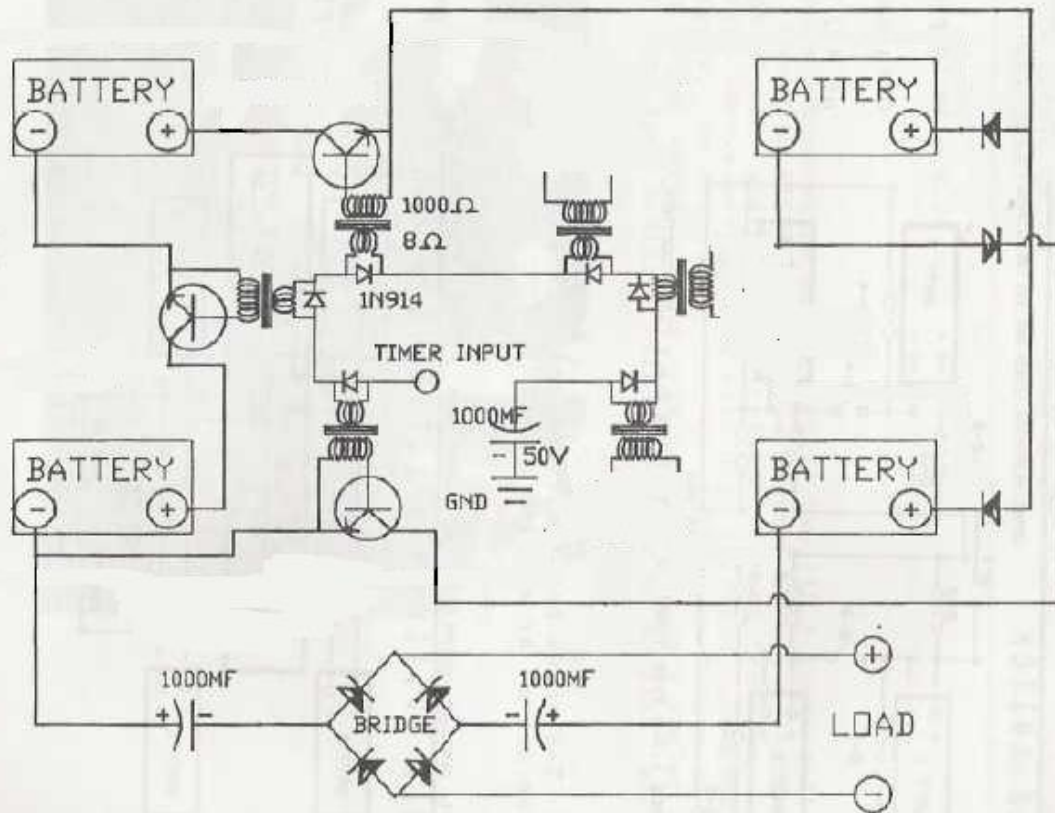
I have notice though that the batteries that hold true, have a good charge in them. . Right now as matter fact I have the batteries charging. I'm going to see the effect of that. As far as the negative plate thing, I really don't have solid understanding of what you're talking about. To make it simple I see the non divergent energy flowing back into the battery, after its been discharged and shut off. The non divergent energy gets crunched between the incoming energy and the Ion build up. This should put stress on the plates and give useful energy back to the system.

I believe this based on what I have read in "Energy from the vacuum", TE Bearden, chapter 5 page 264 "Evoking the Initial Bedini Negative resistor effect". He explains all that stuff and basically my explanation is how I see it working. I can load test all the batteries. They are solid when they finally settle down from charging off the machine. I just know I can make motor turn without CONSUMING electricity from the batteries. I have done it 6 times now in different setups on the bench. I only know what I expect to see from the Meter and The Scope, and if that is achieved I'm gold.

The Tesla switch is a bit different but achieves the goals. It also might be a little cheaper than some of the others. The next build will incorporate a generator for mechanical load from the shaft, to show how much FREE ENERGY I can produce on a certain scale.

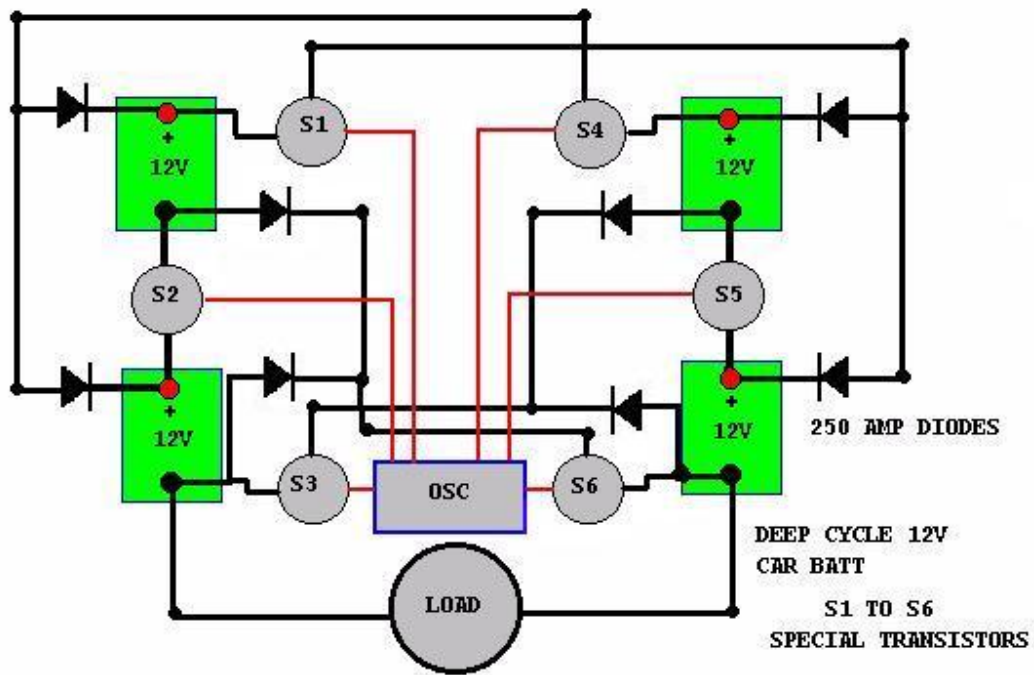
**Updated observations by**

**Nick**

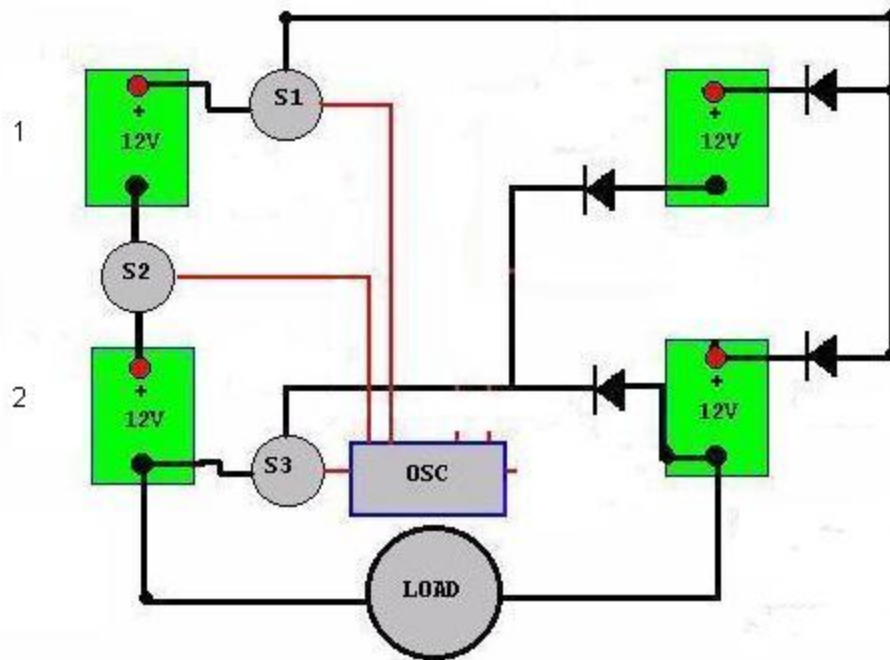


This is the Eike Muller Report circuit design used by Panacea which does NOT send the charging current of 2 battery's through the load when in parallel, which ever 2 they may be at the time. Instead, it only sends one battery's recharge current through the load. A few lines representing the positive half cycle from the oscillator have been erased for clarity. This schematic seems to be modeled after the Bedini web page diagram which has a similar situation.

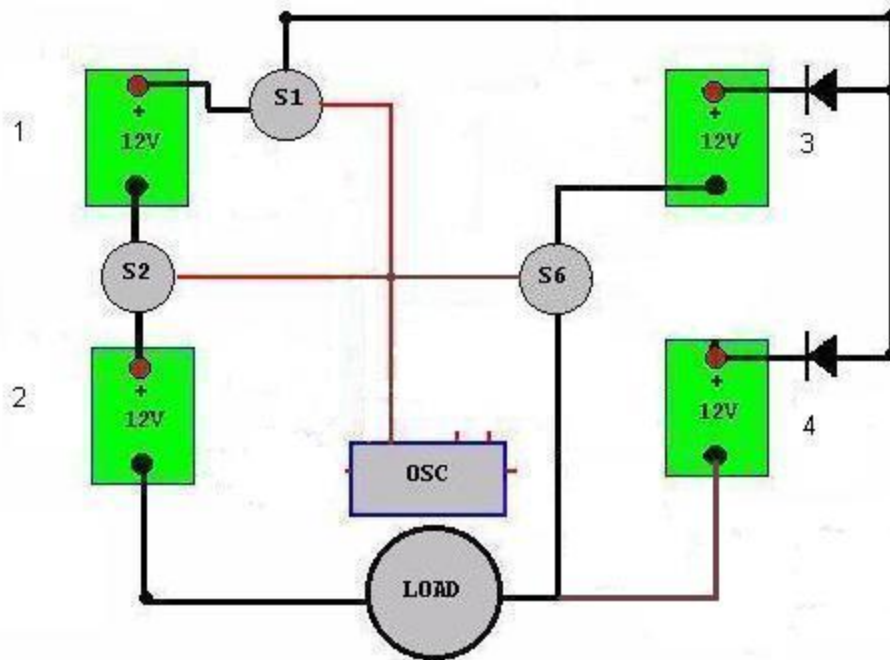
# RONALD BRANDT 1983



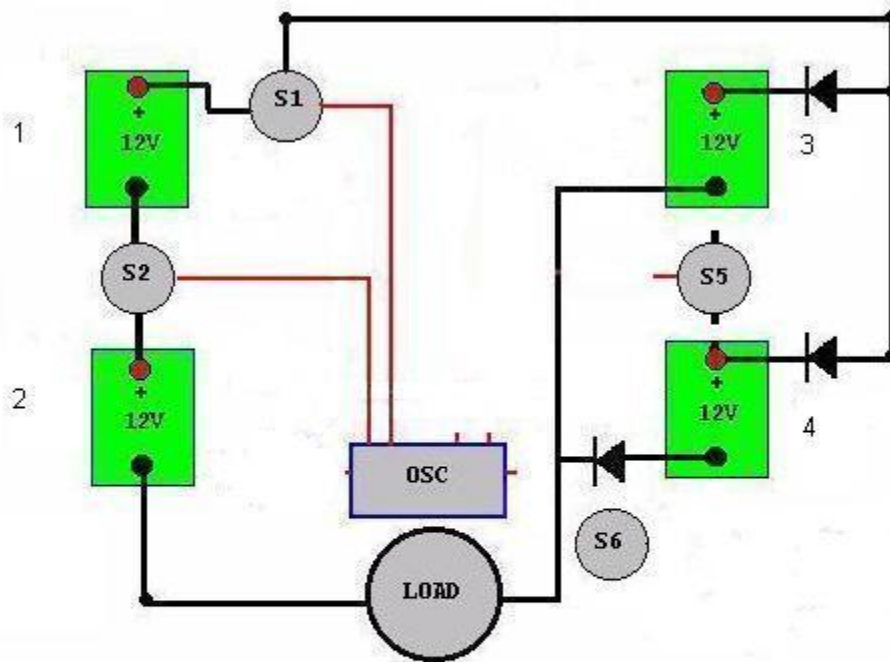
This is the original diagram from the Bedini reference page.



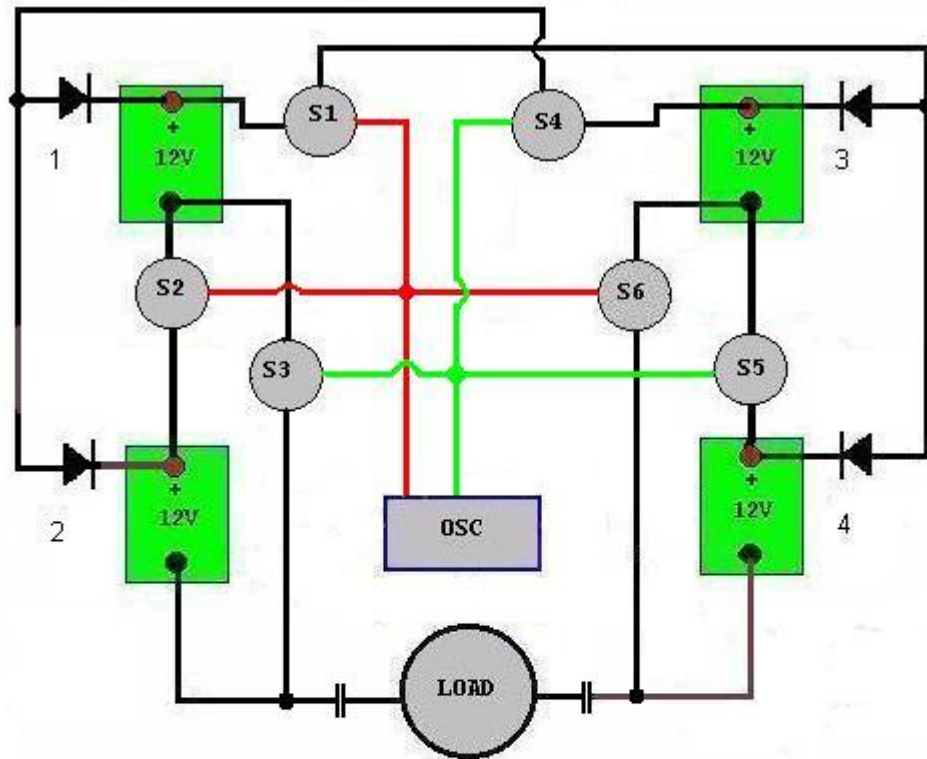
One Half cycle shown for ease of viewing. Assuming S1 and S2 work together to put Batteries 1 and 2 in series, the assumption is that S3 should also be activated at the same time. Activating S3 at the same time will not work in this system because with S3 active, there are 2 returning ground current paths. The path with the load has more resistance than the other path. Since electricity always takes the path of least resistance, in this case, little to NO current will flow through the load, but instead will ALL flow through the less resistance path. This circuit needs to be modified. There are several functioning mods can be made. Also, it is assumed, the series capisitors are within the load icon circle.



Here, S6 is re-inserted in place of the remaining diode for the opposite return path. S6 should operate at the same time as S1 and S2. S6 is also relocated along the Battery 4 short circuit path to allow all return current paths to always reach B2 or B4.

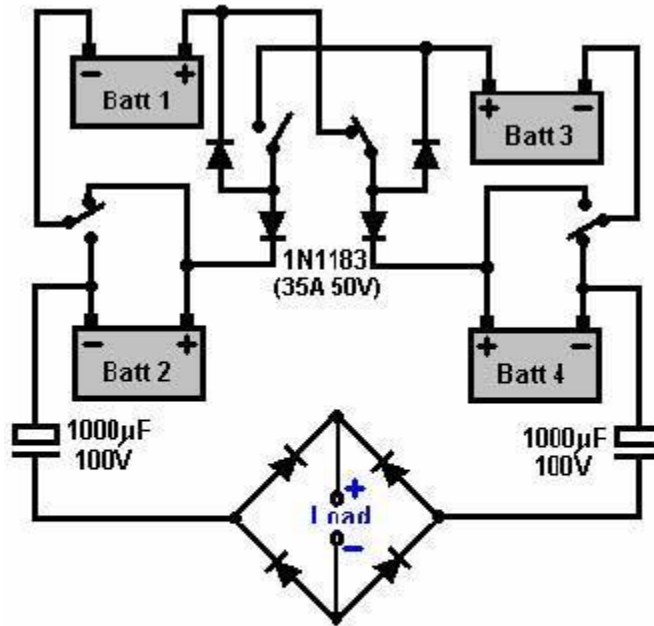


Here, S1 and S2 close at the same time, placing Batteries 1 and 2 in series. The return current path is forced through the load. Also, the return path Diode on Battery 3 is eliminated because it is just not necessary. The remaining diode prevents Battery 4 from short circuiting when in series later on. The problem with this circuit occurs when S5 is eventually closed later in the cycle, the current trying to return to the right side will only have a path to Battery 3. To fix this problem, S6 is re-inserted in place of the remaining diode for the opposite return path.

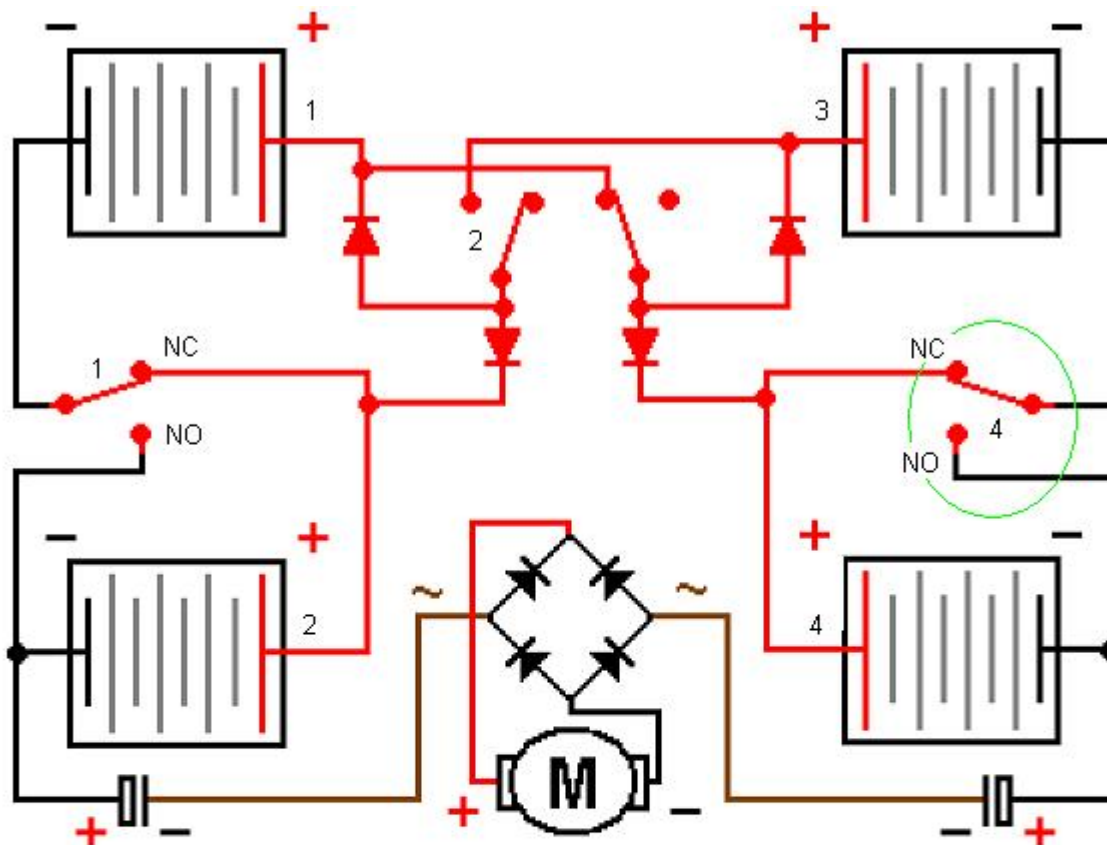


Here is the completed symmetrical system. Note the oscillator has 2 opposing outputs shown in red and green. Also, the capacitors are shown here, but the rectifier is not shown. (for use with a DC load)

It is important to understand S2 and S3 should NEVER be both closed at the same time as this would create a direct short circuit across Battery 2. The same holds true for S5 and S6 concerning Battery 4. Although the oscillator should have two opposing outputs, it is possible to accidentally create this short circuit situation if one output is not fully shut off before the other output is activated. Additionally, this short circuit situation can happen when insufficient shut-off time is allowed for the switching devices, whether it be relay contacts or transistors.

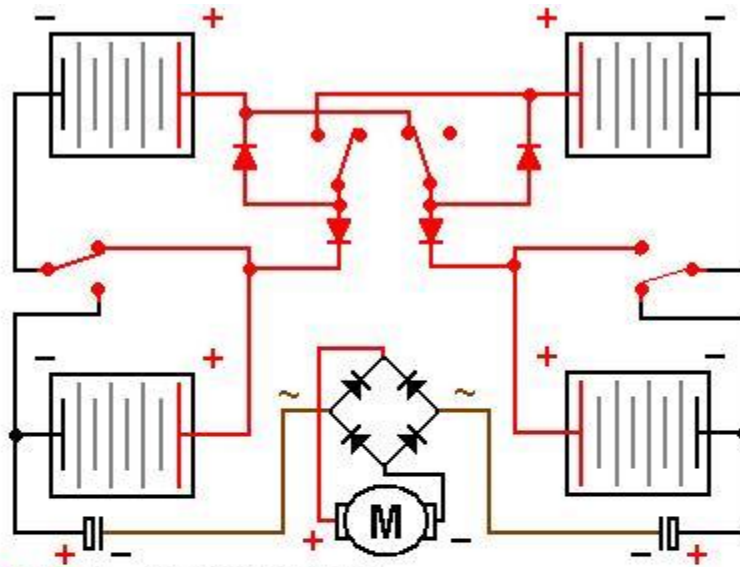


This is the same diagram I just re-created. This however is found on the Overunity.com discussion board. This circuit forces the current from both parallel batteries through the load. This is the same as the Matt Jones Diagram.



This is the Matt Jones diagram. This is the same circuit as the bitmap diagram modifications I've made, as well as the Overunity.com discussion board diagram. This circuit should work better than the Eike Muller report diagram used by Panacea because this allows both batteries in parallel to take charge through the load. Panacea Claimed No success in replication but Matt Jones does claim success. This is a better circuit.

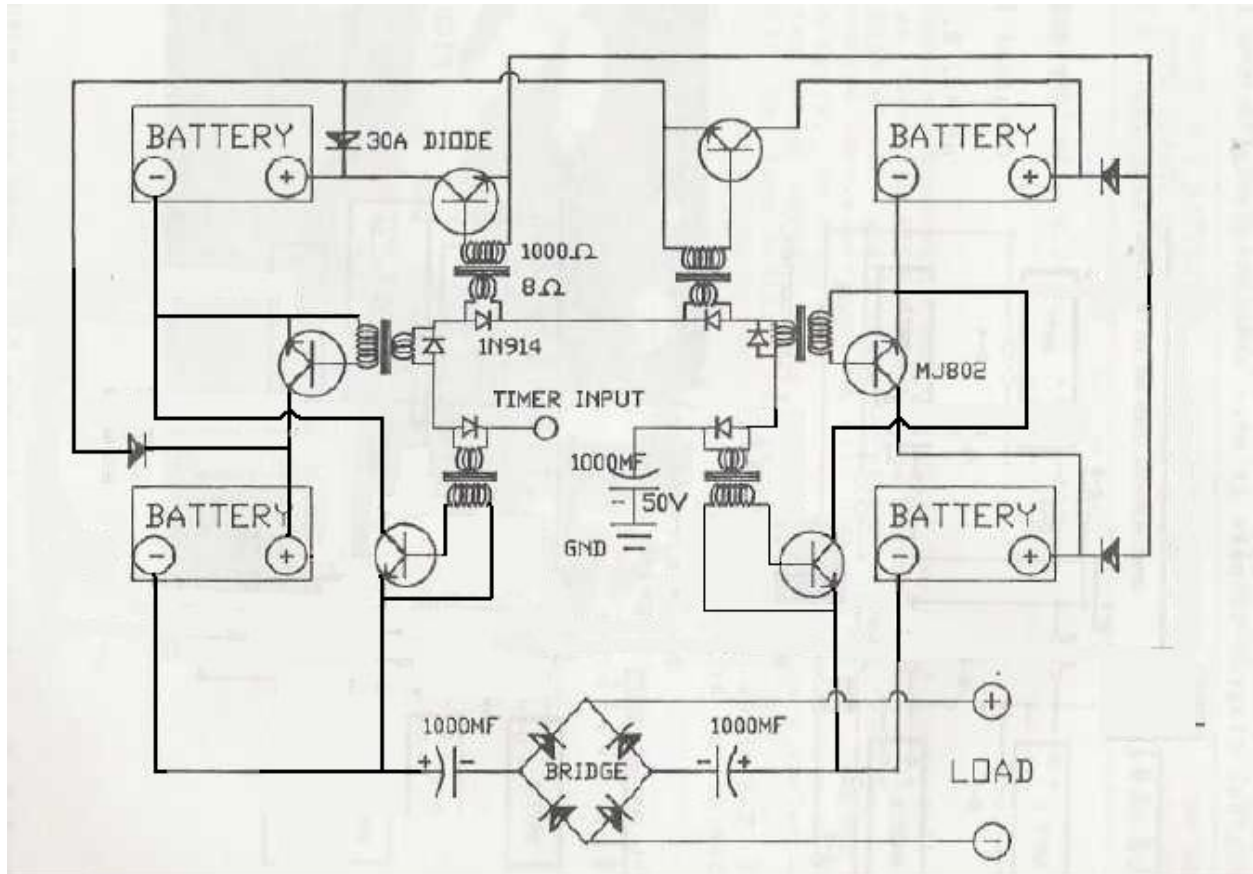
Interestingly, Matt Jones complained of one battery not charging and the other overheating. There is a mistake in this diagram circled in green. Relay 4 needs to be in opposition to relay 1. Instead, his diagram has relays 1 and 4 in sync. Relay 4 N.O. and N.C. contacts are backward, which would heat one battery and give nothing to the other during one half cycle. Battery 3 will not charge because it would see the same incoming potential on both terminals with the relay like this. Not sure if this diagram error caused the problem Matt Jones was experiencing.



- ▶ Diodes: 1N1183 (35A 50V)
- ⌋⌋ Capacitors: 0.5 Farad 24 volts (2 x 1 Farad in series)
- ▤ Batteries are 12V lead acid
- Ⓜ Motor is 12V 4A 2500RPM

Original capacitor values were 1000uF 100V

Jones Diagram corrected



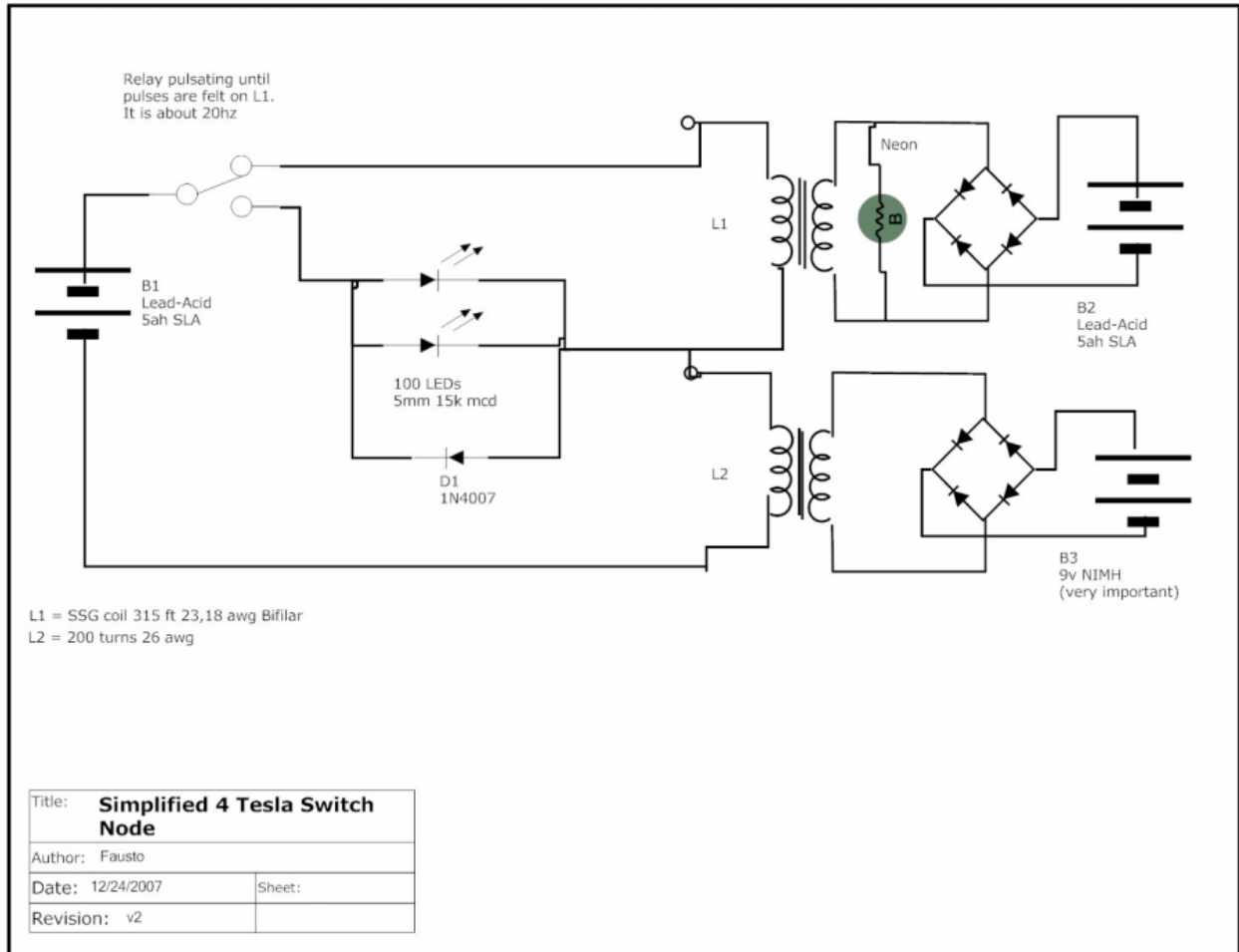
Here is the Panacea circuit diagram modified to contain same oscillator circuit but with a different switching scenario. This matches the diagram on the Overunity.com discussion Board, the schematic diagram re-work here as well as the Matt Jones diagram (less the oscillator).

Note, the control circuit has 2 control diodes and corresponding transistors re-wired. If Matt Jones is capable of making his circuit work with mechanical switching, this would be the transistor equivalent.

### Tesla switch by Fausto

The following is a chronology of circuit ideas, tests and events done by Fausto's. In this version he has used a hybrid of John Bedini's circuit ideas and combined them with the Tesla switch.

### Simplified circuit



I have been playing with this 4 N.Tesla Switch for a little awhile. This circuit is as simples as it can be. 2 coils and a switch. The switch is flipping I think at about 10 pulses per second max, may a little bit less ([see the video](#)) and the battery has been delivering a good current for hours and when it is finished. I switch the batteries and off it goes again. Frequency is 16ms pulses (50% duty cycle).It is standing a very long time compared to some load tests I have done when I playing with SSG (Bedini motor) and I never had it running and giving so much power out for so long. I really think the sudden cut off the current is THE trick.

It continues running 2 batteries for 4 days now. They are much depleted but still giving up 100m of power, very impressive. Proof of concepts Part 4 for N. Tesla 4 Switch device. - [Video is here](#)

Some observations that that I have:

- The batteries are depleting in this one node setup, but, they are never depleted totally. It is always producing enough energy back to run it again and generate watts for hours and days.

- Faster switching is not necessarily the best. What seems to matter is that the destination battery gets some HV pulses and the source battery IS drained so that it allows the charges to move or better, to resonate.
  - Impedance matching is very important, without it the source battery only drains very fast.
  - There is a difference in the kind of electricity that is collected on my B3 and B2 (see drawing above) and the using a capacitor at B3 does not work as well as using a NIMH. B3 will have a "ghost" voltage but that voltage is changing the dynamics of the whole circuit.
  - Switching the batteries back and forth FASTER is better.
  - Having frequency pulsing IS important. So there are two things here: pulsing and switching the batteries or source of current.
  - 4+ days now and still generating power with almost depleted batteries (technically they ARE depleted).
  - The high voltage seems to be the same when B1 is giving 12v or 2v Very strange.
  - The voltages between B1 and B2 will be balancing each other. So starting with a higher voltage in one and lower in another will first cause a fast balancing and then you will be able to see some of the effects above.
  - The residual voltages I have now are consistent with the drop voltage of the LEDs (load). Hmmmm.
- I can barely wait to start testing with 3 batteries (2 nodes).

But here is the quickies: 315ft of 23awg and 18awg. Grab both at the same time and just go around a spool 1" in diameter until the whole 315ft is gone. You have to pay special attention to the direction of winding it so look at the yahoo group and read carefully. But there is no secret really. If you hold with your left hand the spool just wind it towards down, from your face (you looking at the spool) towards your feet or down using your right hand. Go on turning the wire and making sure they are close as possible with no gaps in between. Now ask your wife/girlfriend to bring the beer and sip it in your mouth before you die of boredom because 315ft is about 2000 turns!

I only remember having those strong feelings about something when I was living in Brazil and having many girl friends per month. A new girl friend, life was great. After break-up, everything was horrible. I feel the same with science. Experiments are going great, I am in love. They fail, I am in horrible shape. Up and downs of life. Well. I used to that. Now back to work.

The 3 batteries switch is simply phenomenal. It was working very well until it simply died

and died fast. So I decided to recharge all the batteries using my SSG and try another test with all at the same level, instead of how I had it. One fully charged and the other 2 half so.

In the process of charging the batteries I had an idea, why not use my SSG as the load, which is a much more efficient way to charge another battery instead of what I was doing with one coil that was going crazy with all that AC (magnetic field collapsing and before even finished here came another current to create another field, but ops, this time inverted and so forth).

With the SSG as the load a few things I could notice already on the beginning of the test:

- 1 - It adjusts itself as a load to the 3 bat switch. Its impedance changes as the charging battery changes and therefore the "load" seen by the "tesla switch" changes. That's absolutely great.
- 2 - SSG is charging a fourth battery much more efficiently than I could ever want.
- 3 - The 3 batteries are behaving a little bit different now, since all are charged almost to full capacity, but with different impedance for the load, they are much more stable in their voltages holding
- 4 - It seems that one of the batteries of the 3 is actually charging!!! (Time will tell).

[Video Here](#) - Now trying out the 3 battery switch feeding my, guess what, SSG. Let's see if it will charge up a battery as it runs the other 3 will it be self sustaining?

My 3 batteries switch is running now for more than 24 hours and I already outputted about 20watts of power out of those 3 batteries plus another one that has being charged by the SSG machine that is used as a load on the 3 batteries switch.

I also tried today closing the loop, connecting not only one battery to the SSG but also another output from the same SSG back to one of the 3 batteries on the switch system. It is working wonderfully. The wheel is spinning at about 600rpm and everything seems to be (after switching back and forth the batteries) at stable voltages. Output increased to 12v and 200ma and fluctuates at min 6.5v and 60ma up to 16v and 500ma.

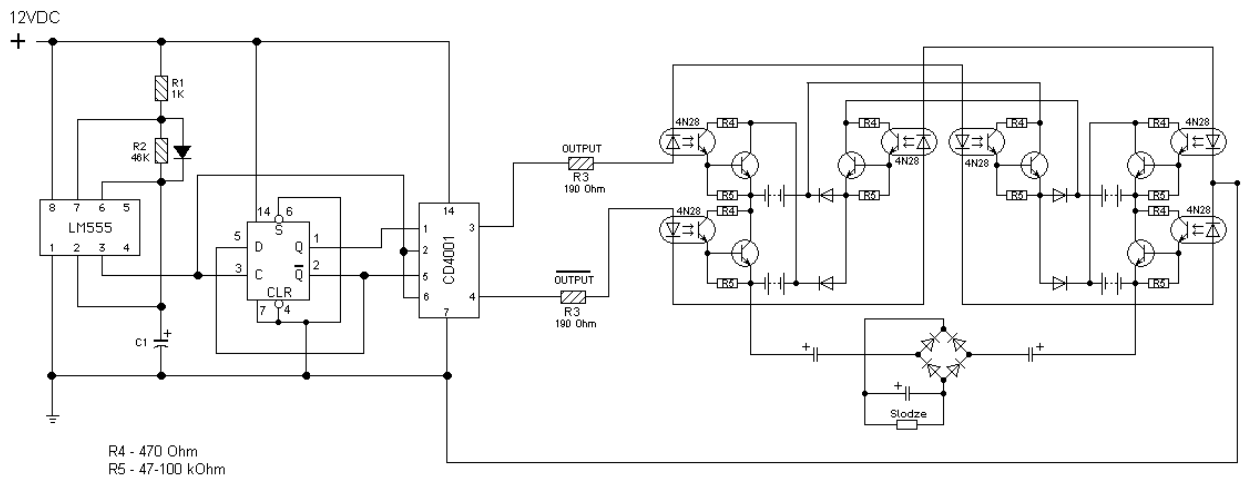
I think I already ran the power that was available on these batteries a long time ago and that is based on previous load tests I have been doing because of the SSG project (SSG = Simplified School Girl motor from Bedini). Closing the loop seems to work well because the batteries are on and off by the switch plus the 22000uf caps that is decoupling things a bit.

I have to tell you, this thing is working at least very efficiently. Time will tell. I think if it runs without having to recharge any of the batteries for a week this is most definitely a super

efficient device. I can't wait to try the 4 batteries switch, but one step at the time with lots of testing in between. I am also collecting all the output into the computer and running calculations based on the data. It is not super good data because of the speed of sampling but it is good enough for this preliminary tests. –End Fausto's technical discussion thread link is posted under the "technical discussion section" below. [Fausto's videos](#) channel.

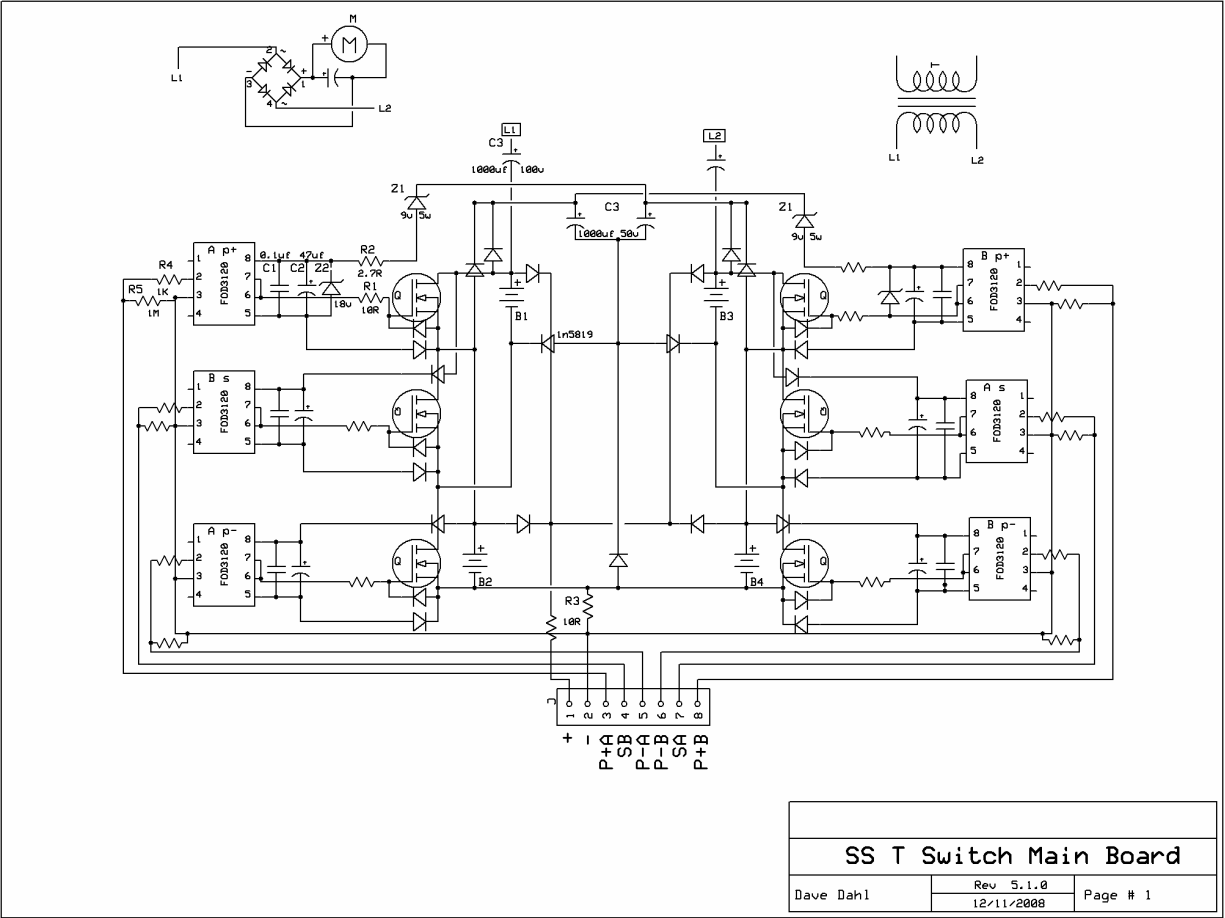
### Experimental solid state switching

The following is courtesy of Jetijs



### Solid state by Jetijs – Down load

The following is courtesy of Dave



[Solid state by Dave Jpeg – Download](#)

[Solid state by Dave PCB – Download](#)

**Transistor choice regarding experimentation of the solid state version**

Most do not recommend 2n3055's. Two well rated transistors you might like to try are:- KSE13009 NPN 300V 12A From Fairchild, and MJE13009 NPN 400V 12A from ON semiconductors- Might be a bit more expensive. Or A choice of or mjl 21194.

**Automatic battery switching**

Experimental ideas- Take a look at these specs. They have ac & dc control, in particular the D1D40 (dc) and the EZ240D18 (ac) models- [PDF Link.](#)

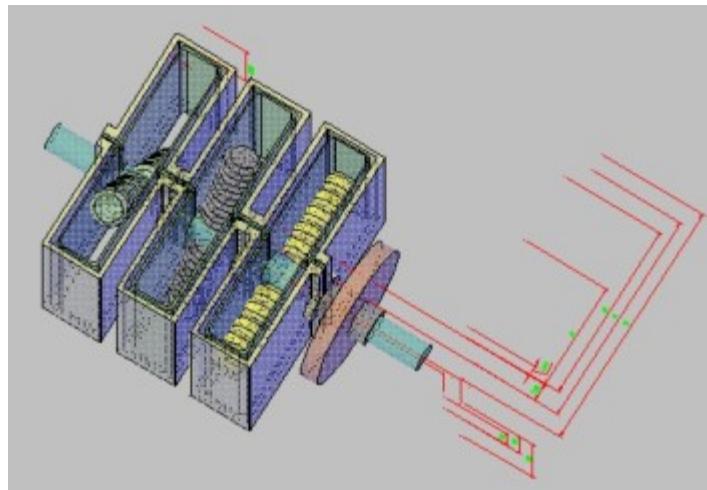
The DC one could be tried in a Bedini technology. The max turn-on time is 100 microseconds and max turnoff time is 1 millisecond. With coil and/or pot adjustment, this will replace the transistor in the Bedini SSG. These could also be used in the Tesla Switch configurations for automatic battery swapping. Turn on voltage of the of

3.5 volts and turn-off voltage of 1 volt with a control voltage range of 3.5 to 35 volts give a wide swing of source voltage as well.

### **Tesla Switch - Geovoltaic Energy Pump (GVEP)**

The following information has been archived from the Peswiki web site as a backup. Please [visit this page for the original version](#).

The GVEP consists of a Tesla Switch utilizing a rotary mechanical contactor in lieu of solid state components to control cross charging among a standard residential battery bank of 12v lead-acid deep cycle batteries, arranged in groups of four. An enhanced version of the Energy Machine of Joseph Newman, herein, the "Newmach Module(s)", is/are used to drive the rotary mechanism, with the Newman Commutator and Tesla Switch sharing a common contactor disk assembly. This choice not only provides a suitable motor to rotate the disk which consumes virtually no power to drive it (nanoamps), but also contributes a positive back pulse of high voltage at the switching frequencies of the battery array, which is additive to the overall energy balance of the system. Unlike other possible drivers for a rotary contactor, the Newmach Modules can be made compact, with a minimum of moving parts, are not encumbered by patent rights (disclosed and published in-depth in 1984, its 1983 PCT patent expiring in 2000), and can be substantially improved over its nominal observed and replicated level of performance.



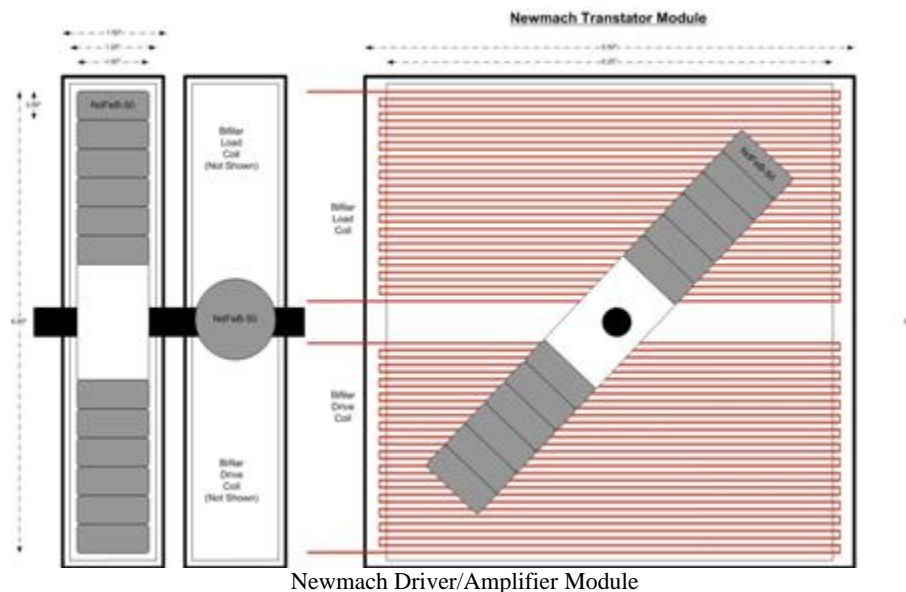
GVEP Commutation System

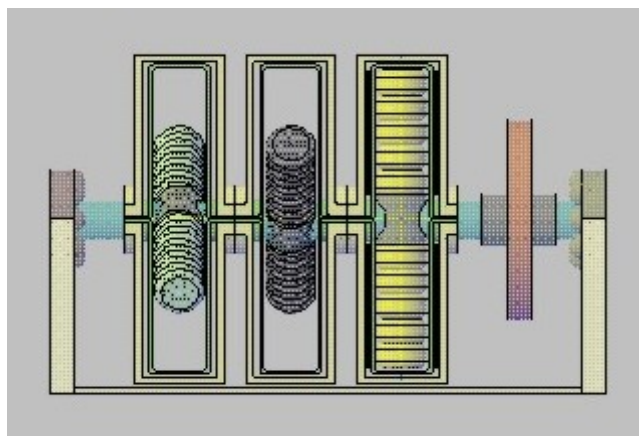
Based on Joseph Newman's expired 1983 PTC Patent WO8300963 (Figure 6), the proposed Newman Modules are enhanced over the stock Newman design in four important ways. [1] A new generation of Neodymium-Iron-Born (NdFeB) magnets are to be utilized, [N-50 Class, Ni-Cu-Ni clad, Remanance 1400 - 1450 (BrmT), Max. Energy Product 48 - 51 (BH)max(MGO), Coercive Force  $\geq 10.0$  Hcb (KOe), Intrinsic Coercive Force  $\geq 11$  Hci (KOe), as described in the paper ["Motor Design Advancements Using NdFeB Magnets"](#) [2] In the book ["Manual of Free Energy Devices and Systems"](#) by D.A.

Kelly (1991), Electrodyne Corporation reports that Tinned Copper Wire produces a 3x improvement in magnetic field strength when used in Newman coils, over regular copper wire. [3] A ferric steel keeper will be employed, to concentrate magnetic flux, resulting in a 3x performance improvement, as demonstrated by Lindemann in the lecture [*Electric Motor Secrets*]. [4] The use of Bifilar wire will increase the energy release per pulse by a factor of 250,000x, as per [Tesla U.S. Patent 512,340](#).

While Newman has spent the past decade re-engineering his system to reduce the Back EMF negative current spikes in favor of more mechanical energy, resulting in a completely different machine configuration, the Institute believes that his device was far more valuable in its original embodiment, when in a context which permits those spikes to be properly utilized, as presented here.

While a large Newman Energy Machine, which itself puts out all of the power necessary for an average home, will generate back spikes so powerful that they will destroy conventional batteries, when integrated as the driver mechanism for a Tesla Switch, and scaled down to simply drive the rotary switch mechanism, the spikes are of a reasonable magnitude which complements the self-charging operation of the battery array. Moreover, these "negative current" pulses (which are actually positive {+} polarity, or rather, a 'current of holes'), must be matched with an electron source in order to generate the conventional current flow that provide a useful charge to the battery bank. In the GVEP, much smaller Newman devices are used, which are far more efficient, and are properly integrated with home-scale battery infrastructure.





GVEP w/ Newmach Transistors

The Tesla Switch creates a pulsed current flow between four 12v, Lead-acid batteries in an array (in the anticipated system, three such arrays operate together, or 12 batteries in all). Through some mechanism of radiant energy entrainment, net energy is captured within the battery system in this process. The rate of entrainment charging adjusts itself to the external load being drawn from the batteries; the greater the discharge to load, the faster external energy is captured from the active vacuum. The switching rate also determines the rate of charge, and must be kept in a range (20cps to 800cps, TBD) which, in relation to the [then] load, does not damage the batteries from excessive charge.

Those who have been involved with FE/OU experiments have consistently reported that in various radiant energy devices, electromechanical switching yields superior results to solid state electronics. When using solid state components, PNP transistors are widely preferred over NPN transistors, however, the reason for this has only recently become apparent: atmospheric electrons from the local environment can enter the circuit in a PNP device, but not through an NPN. A picture emerges that radiant currents do not behave in the same manner as electron currents. Dr. Lindemann recommends beginning with mechanical contacts to eliminate sources of error, before taking a FE/OU system to a solid state architecture. In the documentary "Energy from the Vacuum", Part 2, Bedini himself features a "transistor-free" version of his motor, which is the one he says 'will run forever', while Stan Meyer filed U.S. Patent 4,613,779, on an Electric Pulse Generator to be used with his Water Fuel Cell, with the following Background:

*"Power supplies for electrical systems have been utilized for a century or so. As time progressed new uses of electrical systems placed a need for more sophisticated systems. One particular utilization is the need for power transfer to the utilization device but yet with the requirement that there be power isolation. The advancement of electronics and power devices such as SCRs, Triacs and the such, appeared to be an*

*obvious solution to such a power transfer. Current limiting circuits also were developed. Unfortunately, the solution was not met. The electronic devices in most instances could not limit or tolerate high power. Finally, it became apparent that the electrical systems, with this type of current limiting requirement necessitated electrical power supplies--not electronic."*

Current Source-A limitation inherent in most FE/OU devices is that the radiant energy extracted from the quantum vacuum ("ZPE") comes in the form of potential, and while this can flow as a 'radiant current', is not sensible as an electron current with ammeter instrumentation. If the system does not carefully match this potential to an 'electron source', high potential will build, which destroys batteries and blows capacitors, rather than charging them. Failure to account for this stumbling block has been the Achilles' heel of many otherwise viable free energy devices. The H2earth Institute has determined, for example, that the Meyer Water Fuel Cell's Electron Extraction Circuit is actually an "Electron Donor" within the radiant FE/OU circuit that runs the device. Since the WFC itself, properly configured, consumes no current (it is a water capacitor that likes to be 'blown', repeatedly), the WFC/EEC can serve to provide current within an overall fixed-facilities, distributed generation context. However, because this raises issues - at the household level - of what to do with the large amounts of [then] surplus Hydroxy gas which would be produced, a residential radiant power system would best utilize environmental free electron sources, particularly Ground and Air. For this, the Tesla U.S. Patents 685,957 and 685,958 ("Apparatus" and "Method" for the Utilization of Radiant Energy) provide the ideal electron capture subsystem.

Balance-of-System Components- The objective of this project is to design/build/test a version of the Tesla Switch which can interoperate with the large range of commercial, off-the-shelf residential battery bank infrastructure which has hit the market in the past 15 years to accommodate the conventional Renewable Energy marketplace. Tens of thousands of homes now have 12v battery bank systems for home power, charged by Solar Photovoltaic panels, Wind Turbines, Micro-Hydro, and Biogas energy sources. The Battery Bank components, Automatic Transfer Switch (Grid-Inertia), Charge Controller, Voltage Regulator, Sine Wave Inverter, etc. are now all common consumer electronics available from multiple vendors online, and from local renewable energy installation contractors nationwide. If the GVEP can interface with a conventional residential battery bank package, it can reduce the cost of home power by 1 - 2 orders of magnitude vs. Solar PV, and put FE/OU into the marketplace as a practical alternative within 12 months.

Application -We believe that local Renewable Energy Contractors are a pragmatic and innovative group of engineers, who will find a single FE/OU powered test house to be sufficiently persuasive to begin testing, using, selling, and installing the GVEP themselves in their local communities. Each working home power installation will then

attract its own converts, as friends and neighbors of "early-adopters" also opt to become energy independent. Due to the electrical and mechanical simplicity of the unit, no significant investment is needed in fabrication or assembly to begin producing such systems. With no big factory, precision machine tooling, specialized manufacturing equipment, or venture capital necessary, and no issues as to intellectual property rights, the GVEP can be productized by dozens of independent small business startup ventures around the world simultaneously, and bootstrapped by each of them into substantial sales volumes.

Working hardware, locally demonstrated and available for immediate purchase and installation, trumps any skepticism that fundamentalist scientific dogma can throw at it. The fulcrum that gives a mainstream establishment leverage to intercept and block successful FE/OU technology has been - virtually always and everywhere - the point at which the Inventor Turns Entrepreneur. First, there are psycho-social factors common to talented research inventors, which reciprocally make them unlikely "people persons" to organize and lead venture teams (i.e. "they don't play well with others"). Invariably, Inventor ego, paranoia, greed, suspicion, and poor socialization/communications skills, or bad judgment (or bad luck) in finding/selecting potential partners and team members, inhibits successful commercialization of the completed technology. Second, however, when the development stage technology venture turns to venture capitalists and investment bankers to underwrite productization and manufacturing, these institutional investors always must obtain independent technical evaluations from respected mainstream academic university research professors. They must, for reasons of legal liability, conduct this "Due Diligence" investigation, soliciting the opinions of independent scientific sources. Of course, for reasons obvious, establishment scientists will - always and everywhere - fail to endorse FE/OU technology concepts, thus dissuading the venture capitalist or investment banker from backing the inventor's technology, product, and venture. The GVEP, requiring no such financial underwriting, and having no one aberrant inventor, can easily sidestep these impediments, sliding into the marketplace where no opposition can effectively prevent it.

Project Status-The GVEP has never been built before. It is a logical integration of complementary technologies, each of which has been independently demonstrated and is in the public domain. For various reasons which the different components exhibit, they all should fit together in a very organic, symbiotic manner.

The H2earth Institute has arranged for the promulgation of a comprehensive Engineering Package of detailed drawings and specifications from its volunteer Research Associates, which will include a set of electromechanical assembly drawings in AutoCAD, specific circuit schematics in pSpice, and 3-D modeling animation in Maya. This documentation is expected to be completed in the 4th Quarter 2007.

An Institute team in Central Florida, lead by a senior scientist (PhD in Atomic Physics, Pioneer in Electro-Optics and Lasers, Registered Professional Engineer in Electrical Engineering, Certified Manufacturing Engineer, Certified Environmental Engineer) and with the participation of several electrical and mechanical engineers and technicians, will assemble a prototype from the completed drawings package.

Two 'Residential Systems Testbeds' have been arranged, with test houses donated both on Florida's Space Coast and in the Tampa Bay area, at which full scale home power systems utilizing the GVEP and conventional battery banks will be installed for evaluation and demonstration purposes. Florida's well-established Renewable Energy industry, representing a wealth of experience in [Zero Energy Home] technologies will be treated to the first public demonstrations of the system, in early to mid-2008.

Nomenclature- The phrase "Geovoltaic Energy Pump" is an effort to normalize the concept to Bearden's Geothermal Heat Pump analogy for FE/OU systems, and the Solar Photovoltaic industry that it will leverage off of for the balance-of-system components.

[Geovoltaic Energy Pump \(GVEP\)-Down load high Quality](#)

## **Faculty information**

**Ongoing experiments**

**Tesla switch by mondrasek**

<http://www.overunity.com/index.php?topic=1645.80>

### **The Tesla switch as featured in the practical guide to free energy**

The electrodyne report that was used in the Practical guide to free energy (PGFE) stated that they had to add energy to the system on a regular basis. They also used the 6 switch version. The original circuit was a 4 switch, according to the PGFE. With 4 switches' it is not possible to have a grounded circuit which is what would be required for the solid state version. No one has ever come out and said it on this particular circuit but if you piece it together with the theories and working operations of other devices, then the conclusion should be obvious.

Nikola Tesla's reports describe that when the duration and frequency of high voltage pulses were varied, certain effects came in effect. These included lighting, heating and others. Certain researchers such as John Bedini and Tom Bearden have proposed theoretical and physical models to suggest that by utilizing pulse technology in certain configurations, these pulses are able to draw energy directly from the environment. A theory of this related particular operation can be found in the following guide:

<http://www.free-energy-info.co.uk/Chapt5.html>

## Independent theories of operation done by various open source engineers

By Matthew Jones

My theory is pretty simple when you look at from the aspect of Divergent and Non Divergent energy. A lot people don't like to look at this end of it. If you look at the Electron as a small permanent magnet you can see how, what I am going to explain would happen. If you look at non divergent energy as magnetic DUST (No useable mass) that also helps. There are different opinions. I tend to agree with Bearden's theories and have actually found proof, as far as I am concerned, on a lot them. You know how the motor gets its power from the Tesla Switch so I don't have to cover that too much.

Basically you have a potential between 2 potentials (Or positive poles).If you have 24volt on one side and 12volt on the other you then have a 12 volt potential. This is how you to get power out of the system and still retain the energy used. Loss only comes in play from heat and natural resistance. Your just discharging from one and charging another. The electron movement does not care how you make it move it still creates a magnetic field around itself most likely while its hopping from one atomic structure to the next.

The NON DIVERGENT energy on the other hand moves opposite the direction of the electron. The basic and simple scenario is, if the electron coming from the positive pole of the battery, is charged to the positive (Not actually, just for example) then the energy attracted to it would be negative by nature (Dirac). This energy will not bond with it but collects from the vicinity of the wire. So you have this field of energy outside the wire waiting to go into the battery closer to the center of the charge (remember the magnet?)

So we turn on the circuit on. The electron leaves the battery creating a void on the crystals of the plates. The electron then travels to the next battery. While on its way the divergent energy collects around the wire. We turn the circuit off (You must turn them OFF), taking the load off of the battery. Everything inside stalls and we are left with vacuum inside the battery. Empty Crystals. The Divergent energy now has a clear path to the center. Like a magnet it always wants to line up edge to edge. The crystals start filling up with this dust. On the meter we see our potential coming back, rapidly. The voltage climbs.

Then all of sudden when all this fluffy weak energy is flowing back into the batteries, we slam it with a brick from the other direction. Instantly turning the dust into compressed solid mass!!! WALLA!!! Extra Energy.

Well You ask "If the dust was charged Negatively, then how is the MASS that formed from it now charged positively?"This is where things get weird opinions vary. I continue

to look at the permanent magnet scenario. A little experiment I tried some time ago got me on to this. You take a really big magnets made of Neodymium. Say 100lbs of pulling power. Then you take ceramic mag 5lbs grade8. Push the 2 North Pole together till they touch. The weak magnet will stick to the strong one. Left attached for some period of time you will notice that when you take the weak magnet away from the strong one it will continue to be attracted in the same direction. You have flipped the pole. It will, in some cases (Grade5 or below) start to repel from the opposite side. You have re polarized this magnet. The magnets not very strong but the poles have flipped. You turned this magnet back into dust.

What happens in the battery is similar. You crunch the Divergent energy together and every little tiny peice then flips poles and bonds together with the incoming energy. I can duplicate the opposite effect in a pulse motor. If you use a really big set of magnets for the drive magnets and a decent coil you can flip the pole on the energy in the coil. When this flipped energy leaves the coil if given a choice to go either to ground or to a potential it will travel to the potential every time.

Maybe you have seen my simple circuit. This is how I discovered the flipping of the crushed energy. If you run the motor as a straight motor, it will build up BEMF and make a lot of heat and it won't run with alot of torque. (Not that it has much anyway). If you run weak magnets for the drive, the amperage coming in to the motor will equal the amperage leaving, minus, just a small fraction. (IE 1 amp draw, .8 charge). Now if use a strong magnet the amperage ratio changes dramatically. You might feed it 5 amps and only .5 amps come out. But since we know it is recovering energy based on the small magnet drive then it must be recovering the same energy under a large magnet drive. So why the decline in amperage?. Simple. The dust left over, after the big magnets have crushed it, has no weight, it doesn't really want to flow. And it travels to the positive pole of the charge battery, NOT the negative pole of the run battery. If you haven't seen the circuit hers the video with a schematic .

<http://www.youtube.com/watch?v=BnBPEPhaql8>

Now you're probably asking why he is babbling on about everything under Gods green earth. I'll come to the point. **I have built 4 Tesla switches with a motor for the load. So far I have not been able to recover the losses in the circuit and the motor. The device is defiantly more conservative than a conventional circuit. And I could use the shaft power to make recovery.** I believe one of the keys to making this circuit work and keep a charge on the battery is how well you crush the energy coming out of the load. I believe that if broken down you will have more surface area for the divergent energy to mix and bond with. At the same time you need that hard hitting crunch that turns it all back into compressed energy. And you don't want to re polarize it, because that will force the divergent that's near the wire away.

Now the only way I have been able to imagine this happening with a conventional motor is based solely on the timing and what kind of motor you have. If you run the motor, crush the energy, then turn the motor off and use the kinetic energy left over to turn the motor slightly and create charge, A good charge, and dump all that in the battery in that order you may start to overcome the loss in the circuit.

I see a better motor being built. Similar to a pulse motor, but with some properties of a attraction motor. The pulse to crush the energy and an conventional to give it a good jolt. This something that I have started looking into. In addition to that I am going to start looking into duplicating some older motor designs. Something from the time of Tesla and Edison (Edison because of the work with DC). I am digging some patents up to see the differences in the motors then and now.

The circuit was not designed specifically for a motor. It's meant to run any load. But if you look at what they had to switch it with in those days, either a tube or relay setup to switch things or mechanical switching. The reason I am not fond of using a transistor (Or tubes) is the amount of current you have to let go to ground, may very well stop the non divergent energy flow in the circuit. Unless it was done along the same lines as a Bedini motor in which you generate the trigger current that gets sent to ground. Then your back to mechanical hybrid.

In Patrick Kellies Free Energy Guide, the older version, that discussed the Tesla switch in some detail, mentioned that electrodyne ran the circuit for 3 years, but had to add energy to the system on several occasions. They switched with transistors and relays. Grounding anything in circuit is asking for loss. So in testing this circuit we should find one of 2 things. Either the circuit is capable of inducing extra energy from the vacuum or it allows us to perform work at greater duration of time. Either is fine with me.

I believe this to be the fundamental key to free SHAFT energy. Anybody can build it. Some will refine it. But most all will learn from it. Hope that wasn't too much in one letter, I felt like I had to get it all out.

END

You must consider that there are two electricity's at work here, the one you know (Male) of and the one you seek to discover (Female). There are always 3 states at work, just like up, down and static or in potential - positive, negative or none.

This may help - Jerry Bayles 'Eureka Moment' where he does explain the opposite energy at work and the difference between the two in his own words in developing his theories: <http://www.electrogravity.com/>

Consider the fact that the 'new' electricity you have generated may just act oppositely to what you would accept as being normal. Also learn to understand that you cannot

easily measure this energy and the best way is to 'palm' wires and devices to see if you can't feel a field and look for a cooling breeze or a faint cool brushing. Yes, metaphysics at work here and will include your Pineal gland to help in the decision making and even Dowsing.

Do you get headaches as you are working - have you ever considered that you may have developed a torsion field that is creating a stress in your environment? Perhaps this may help here: <http://magnetism.fateback.com/index.htm>

David Lowrance's CSSP public information site. Many devices here that illustrate opposite energy flows - inflow and outflow - Rainmakers and Tube devices that create torsion fields and can utilize 'consciousness' as part of the equation. In other words, your actual conscious state as being a part of that device. It is no longer just 'electronics' - there is more to it that has been suppressed from us and denied to us by being urged away from Nature and the way Nature operates. -End

You might look at this way when you switch the batteries potentials back and forth like that you create a reversing voltage potential across the caps and series bridge. So in essence you have a time varying potential. In electronics 101 you learn that caps block DC and pass AC for steady state analysis (sinusoidal ac) the ac impedance is calculated with the standard formula. With the Tesla switch the ac waveform will be more like a time varying square wave. The current will pass through the caps but it won't likely be sinusoidal in form. More transient in nature it is interesting to note that they take the load off the negative side of the batteries which is where the electrons are actually flowing from in the circuit. Also note When a capacitor has AC or Pulse DC on it, it effectively acts to some degree like a conductor.-End

From Dave-I came up with my own by following the actual flow of the circuit, (I couldn't find anything published that didn't have errors in it) it can be Tapped at either end. The basic concept is to put the Charge batteries in parallel (12v) to lower the V potential and the Source batteries in series (24v) to double the potential. then connect the + and the - of both sets together with a Load in between either the + or - side. If you need DC use a FWBR or you will have an AC output.

As the 24v potential goes through the circuit it will be backwards through the 12v batteries (recharging them) it will leave you 12v for the load. The more Amps you draw through the load the more will flow through the batteries. Then you switch the positions and run again. My theory on it when set up proper is that since the Ions in the battery travel SLOWER than the Electrons in the circuit when properly tuned the ions should just oscillate back and forth, not actually touching either plate Pumping electrons through the circuit to do work.

I have the switching circuit figured out using 6 Fets or IGBTs and NO Diodes, (for useful power circuit instead of toys) have found the HEATING problem comes from 2 of the

FETS that swap polarity when switched. I have been working on how to set up a totally floating gate drive that will follow the flow. I will have to dig out my notes again on this but I think it went like this. The FET sees a HIGH potential when turning on so it needs  $V_{GS} \sim 18V$  to turn the gate full on. Now as soon as it turns on it becomes LOW, so now the gate needs to drop the +18V or it will burn out the Fet.

If any of you Electronic experts have any suggestions let Panacea know and I will go over where I'm at with it in more detail so maybe we can get this worked into a usable device.-End

By V- This is just a guess but I think the short is very brief and may be what builds up the current to a high level for a brief instant before it gets jerked the other way. So we have alternating shorts instead of alternating current. They probably work the same way. Maybe that's why it's good to have an inductive load. Think about what does a coil do when you charge it up with a current and then suddenly short it?

All use of electricity involves a short I think because that is what completes the circuit. When you short the battery it builds up a high current level real quick, the electrons bunch up and then are released in a different direction. Maybe your dilemma comes from thinking of the circuit in a static manner when its a dynamic function that it works on.

From Rob- I have tried the TS on the Mueller visit. Actually, the key to all this is Ron Brandts relay! I had no luck at all with solid state. I personally think that the key is in the electrostatic pulse. His old relays would have been chattering away. So too will a rotary switch. This worked for me somewhat and I charged some old batteries up, and my son who is doing Aerospace at Monash, still refused to believe what he saw!!! I ran a small dc motor for about 5 days, till he went back to Uni, and the batteries were still charged!! I have not published this as I do not want to draw too much attention from the "plodheads". As far as I am concerned this worked because the Electrostatic pulses coming from the rotor -driven by one of those small hobby motors are straight edged = sharp.

Also, I had a sharp cut off / cut in on the plate to activate the pulse. = short sharp pulses. The audio transformers might be a bit overstated as the amplified spike is where the danger is. I also found that the 3055's are susceptible to Spikes. The 555 circuits did nothing for me as the difficulty becomes compounded with the amplified latency in the total solid state circuitry. I think bedini also had this trouble.

If you put a pot in series with the small motor = variable speed drive. Also, I got the best pulses by using the total batteries in series, for me 48volts gave a sufficient spark. Try to irritate the contact point so as to encourage the spark!! Regarding the frequency operation of the circuit. Bedini ran his slow. I think he was talking less than 50 Hz. This will

rock on up to at least 1000hz. Maybe more = too much heat. Connect the pulse across negative and input terminal as per figure T-7. Start slow and experiment.

On the input I disconnected the 1000uf cap. One side of the contactor goes to the left and the other side of the contactor goes to the right. As per the diodes. Also, if it works for you, don't leave it running too long without a load or your batteries might start cooking! It seems to pull most current with a load. If you use the variable pot across the rotary contact breaker switch connected across the 4 batteries, that your TS will zoom along.(Untested).

### By jibbguy

The idea is to have a floating "lower" potential of a dipole source, where having a load causes more current to flow so it actually "charges" and not detracts from the source as it "normally" would, seems to be a common reoccurring theme of Tesla and others.

Somewhere, there is a very significant secret to unravel here in these concepts... Like the 4 battery Tesla Switch arrangements that are self-powered, supposedly being able to power vehicles. In those designs, is the mechanical switching causing DC transient spikes, which provide radiant energy to charge the batteries, wouldn't seem to be enough coming from there to explain the effect.

But by all accounts the complex Tesla switches are a bear to get to work and supposedly only 2 people ever have. A small electrolytic filter cap, a load resistor for discharging the cap, 4 clip leads, a double-pole double-throw switch, and a small rechargeable battery, manually charge / discharge a cap by throwing the switch to put the cap first across the batteries then across the resistor until the battery is down to a predetermined voltage measured to 4 significant digits.

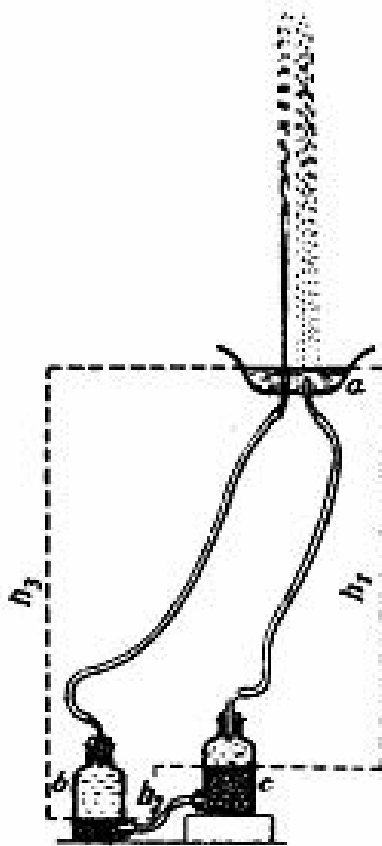
Make sure the battery was always charged using old-style "flat" DC so there is no oddities of radiant charge involved to skew the data. Then do the calculations on how much battery charge was actually used to charge the cap over time; and see if it matches a regular direct discharge across the same resistor load on the exactly same-charged level battery. You would also have to carefully measure the output of the discharging cap across the resistor over time; to compare that to the batt's loss of charge over time to measure the leakage current losses in the cap.

Maybe using two "Integrator amplifier" circuits to measure the "area under the curve" would be an easier way to measure the cap's output/discharge and input/charge (the batt's discharge).. Integrators "adds-up" voltage over time and output it as a representative constantly-climbing dc level that can be simply read by a meter or scope. Medical research Doc's use Integrator Amps to measure total blood flow vs. time, and the analog circuit that does this is fairly easy to build using op-amps.

The problem with all that is of course unless you have really amazing results (...at least a 10% gain in COP using the cap verses the resistor), the readings and inherent error (probably "+/-5%" total at best) will make it all inconclusive. This is the big problem doing COP measurements with batt or cap related circuits. You'll never shut up the skeptics quibbling over a dozen different measurement accuracy issues let alone anything else.

But nonetheless it would be a valuable test to do: If a cap does the same work with a lower "cost" of charging it verses the source doing it directly, this is "free energy", important news, and basis for further study.

### The Tesla Switch is For Electricity what the Heron Pump is For Water?



An open source engineer has a theory that the Tesla Switch is near to be equal to the Heron Pump. Heron Pump was used by Egyptian's to send water to the heights in his buildings by converting the gravity to pressure, (like in electricity converts amperage to potential in the switch?).

Above is a Heron Pump, when water is not pumped, bottle b is interchanged by bottle c **and the match begins again**. This engineer reasons that Tesla was inspired by this system for create the Tesla Switch. If inspiring us for this we can rebuild the Tesla switch from his creation to get it better.

The Heron Pump or Heron Fountain is not an OVERUNITY device but it was very useful for the Egyptian civilization and the middle Ages. The similarities for this theory compare the batteries electrons which are sorted when it is charged. The electrons when in closed loop go out in heat, when in open loop go to another Battery like the Tesla Switch. The Heron Fountain works using the same concept. The water goes into another container but performs work.

### HERON'S FOUNTAIN

The following information has been [archived from this site](#). Most of fountains that you can see in parks are driven by an electric water pump. But Heron, an engineer in ancient Greek, invented a very curious fountain. It continues to spout water without any pump and energy source. Let's make Heron's fountain as shown in Fig.1, using daily used materials, such as plastic bottles and plastic tubes.

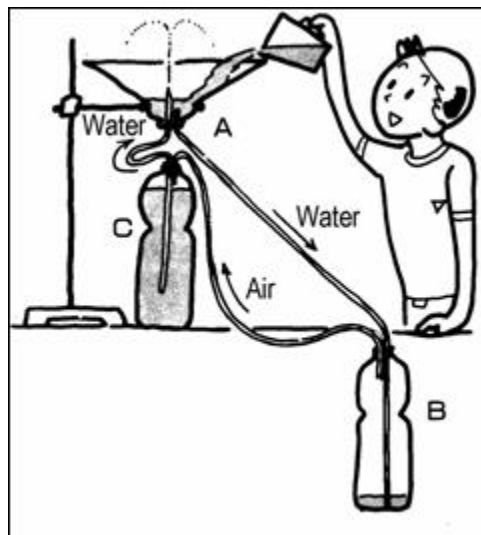


Fig. 1 MATERIALS and TOOLS

plastic bottle(1 - 1.5l) x 3

plastic tube(inner diameter 5 mm, length 270 cm)

rubber stopper(which fits to the mouth of the plastic bottle) x 3

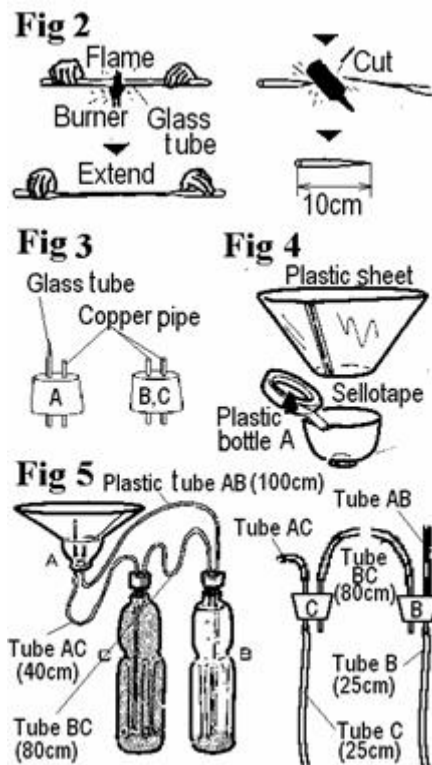
plastic sheet(30 x 60 cm)

sellotape

tripod stand with clamp

copper pipe(diameter 5 mm, length 8 cm) x 5

glass tube(diameter 5 mm, length 20 cm)

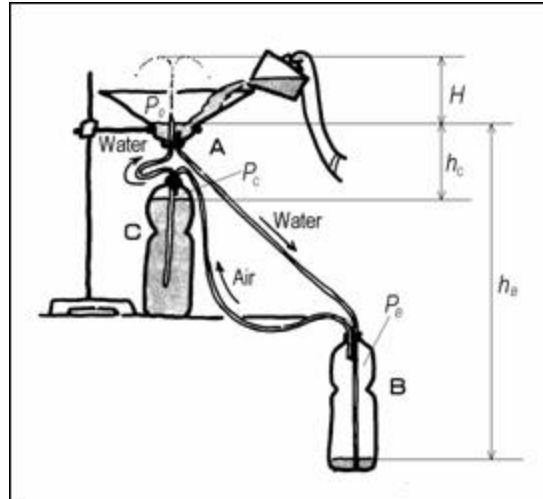


**METHOD-**Heat the glass tube and make a nozzle as shown in Fig.2. Make two holes (diameter 5 mm) on 3 rubber stoppers. Insert the glass nozzle and a copper pipe into the holes of rubber stopper A as shown in Fig.3. Insert two copper pipes into the holes of rubber stopper B and C. Cut the plastic bottle A in 5 cm long from the top. Using the plastic sheet and sellotape, make a funnel as shown in Fig.4. Using sellotape, attach the funnel to bottle A.

Attach the rubber stoppers to each mouth of 3 bottles. Cut the plastic tube into 5 pieces and connect the 3 rubberstoppers with them as shown in Fig.5. Fill bottle C with water and put a little water in bottle B. Attach the funnel to the tripod stand and set bottle B,C as shown in Fig.1. If you pour water into the funnel, water begins to spout out from the nozzle continuously.

**PRINCIPLE-**In Fig.6, as the water level of the funnel is higher than that of bottle B, the water in the funnel flows to bottle B.If the water volume in bottle B increases, the air volume decreases and the air pressure  $P_a$  increases. As bottle C is connected to bottle B with plastic tube, the air pressure in bottle C is equal to that in bottle B. As the air pressure in bottle C ( $P_c$ ) is bigger than the atmosphere pressure ( $P_0$ ), the

water in bottle C goes up and spouts out from the nozzle. According to the theory, the maximum height (H) which the water can reach is equal to  $h_B - h_C$ .



**THINGS TO DO**-Set up the equipments as shown in Fig.1 and make sure that the water in bottle C spouts out from the nozzle. Find how to achieve the maximum height which the water can reach.

### SirHOAX experiments

These concepts go back to Tesla, and his concepts of his Tesla Switch. Also, Bedini uses these Bi-Filer coils with much success. These are attempts to show over unity while using PWM (pulse width modulation).

[Pulsing Hydrogen Fuel Cell while Charging Battery \(OU\)](#)

### Related Tesla switch experiments

[The High Efficiency Pump experiment](#)

[Dielectric EMF recycler](#)

[T.W. Barret, patent on "oscillator shuttle circuit"](#)

[David-bowlings-continuous-charger](#)

## Patents

In one of Peter Lindermann's videos Peter has mentioned something about Tesla referring to a mechanical compression wave in regards to the whole radiant energy thing. Here are some patents which may have relevant information:

2836734

3611091

4297590

4101787

Google's patent search is quick and easy Google Patents and provides handy links to patents cited and referenced by others. Be aware that sometimes with google the drawings aren't rendered properly (mostly the really important ones) so if you need a better copy try <http://pat2pdf.org> Tesla has a patent or two for commutators (regulator for dynamo electric machines) you might get an idea from.

## **Technical Discussion**

[Tesla Switch threads discussion on the energetic forum](#)

[Fausto's overunity.com discussion thread](#)

## **Videos**

<http://au.youtube.com/user/plengo>

<http://au.youtube.com/user/madhacker2000>

[Tesla switch](#) – By <http://au.youtube.com/user/sceptic33>

Matt's Channel - <http://au.youtube.com/user/mjones7947>

## **Resources**

<http://www.discovercircuits.com/>

## **Credits**

**The open source energy community**

If you are able to contribute to this document in ANY way, IE- replication details, faculty info and or additional data please contact the nonprofit organization.

<http://www.panacea-bocaf.org>

<http://www.panaceauniversity.org>